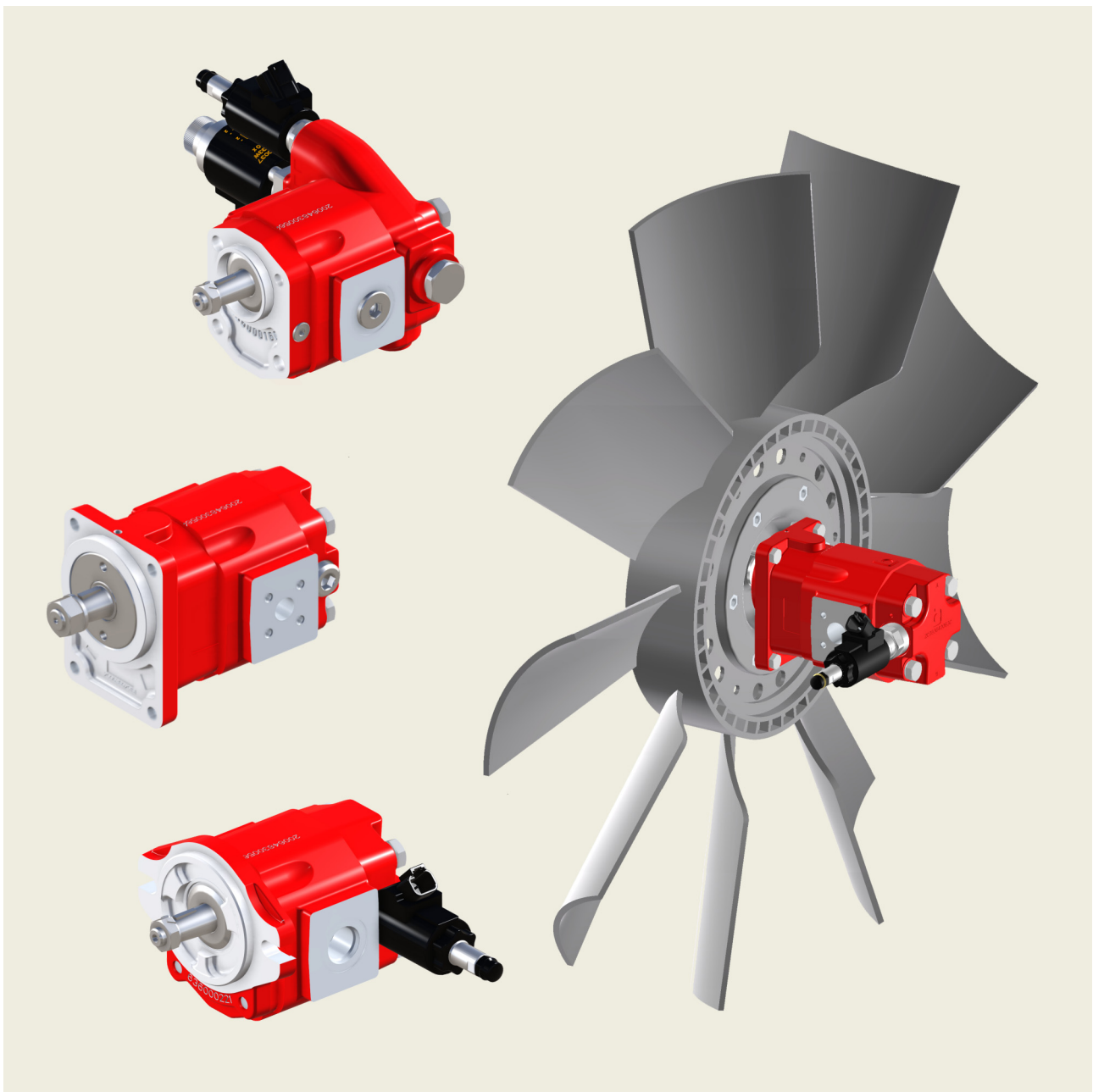


## APM212HP Cast Iron Gear Motors, including Fan Drive

Standard and Low Noise series



## Contents

Page

<b>1</b>	<b>General information</b> .....	<b>3</b>
1.1	External gear motors for general use .....	3
1.2	Fan Drive Gear Motors for cooling systems .....	4
1.3	External gear motors components .....	5
1.4	Technical data .....	6
1.5	High inlet pressure .....	6
1.6	Identifying the rotation direction .....	7
1.7	Outlet .....	7
1.8	Radial and axial load .....	8
1.9	Application check .....	8
1.10	General installation precaution .....	10
1.11	Directives and standards .....	11
1.12	Non-standard symbols used in the text .....	11
1.13	Gear motor formulas .....	11
1.14	Diagrams APM212HP .....	12
<b>2</b>	<b>Overview standard types</b> .....	<b>14</b>
2.1	Standard configuration .....	14
<b>3</b>	<b>APM212HP Single motor customised versions</b> .....	<b>31</b>
3.1	Single motor customised versions order example .....	32
3.2	Single motor dimensions .....	33
3.3	Shaft end code .....	34
3.4	Front cover .....	35
3.5	Cast iron body .....	38
3.6	Back covers .....	41
3.7	Valves and circuits .....	42
<b>4</b>	<b>Accessories</b> .....	<b>49</b>
4.1	Electronic module, ESLF series .....	49
4.2	External manifold for reversing control, STB series .....	51
<b>5</b>	<b>Motors seal kit NBR standard type</b> .....	<b>54</b>
<b>6</b>	<b>Product identification plate</b> .....	<b>54</b>
<b>7</b>	<b>Application form</b> .....	<b>55</b>

## 1 General information

External gear motors are widely used in modern hydraulic systems due to their high performance, long service life and low maintenance costs.

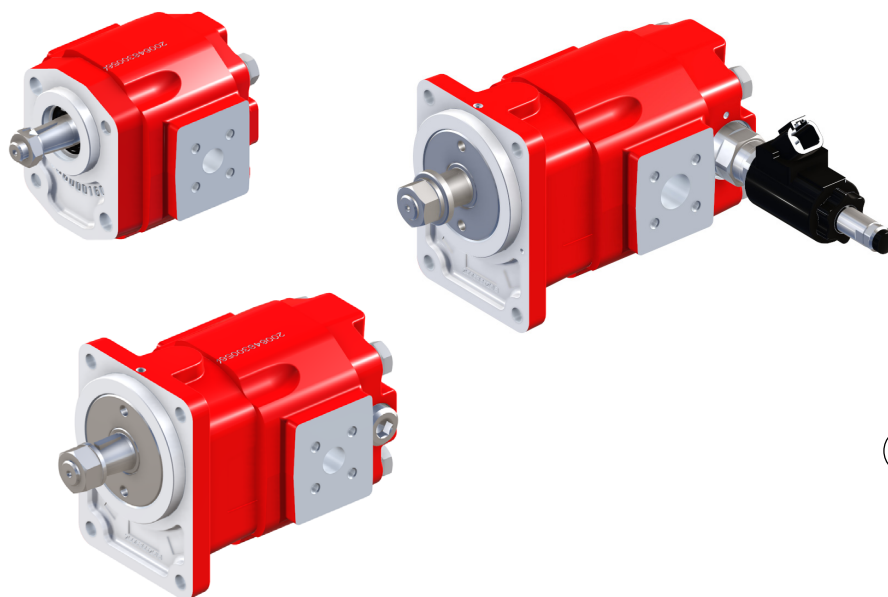
With the new APM212HP family, high operating pressures, excellent volumetric and mechanical efficiencies were achieved; moreover, for LN-series (Low Noise versions), definitely better acoustic performances were obtained.

Different features of the new APM design were deeply analyzed and studied in order to get to the above mentioned results; primarily, engineering attention was focused on the design of the gear teeth and balancing areas but also

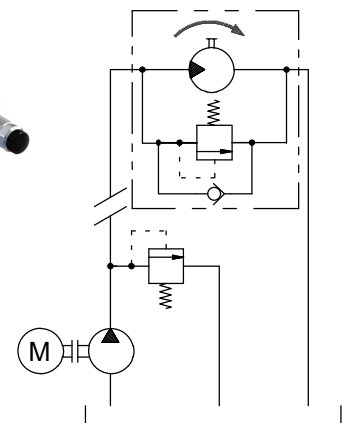
materials, heat treatments and coupling tolerances were carefully considered during the development process; these project variables linked to a continuous tight test schedule (even performed in our semi-anechoic room) were the tools adopted by Bucher to achieve the excellent performance of these gear motors.

Bucher Hydraulics philosophy is based on continuous improving; this concept is enforced by high-end control and manufacturing techniques in Production and by a Quality Control System which guarantees that every single product can offer the same high standard level.

### 1.1 External gear motors for general use



Hydraulic scheme example



#### New APM212HP motors benefits

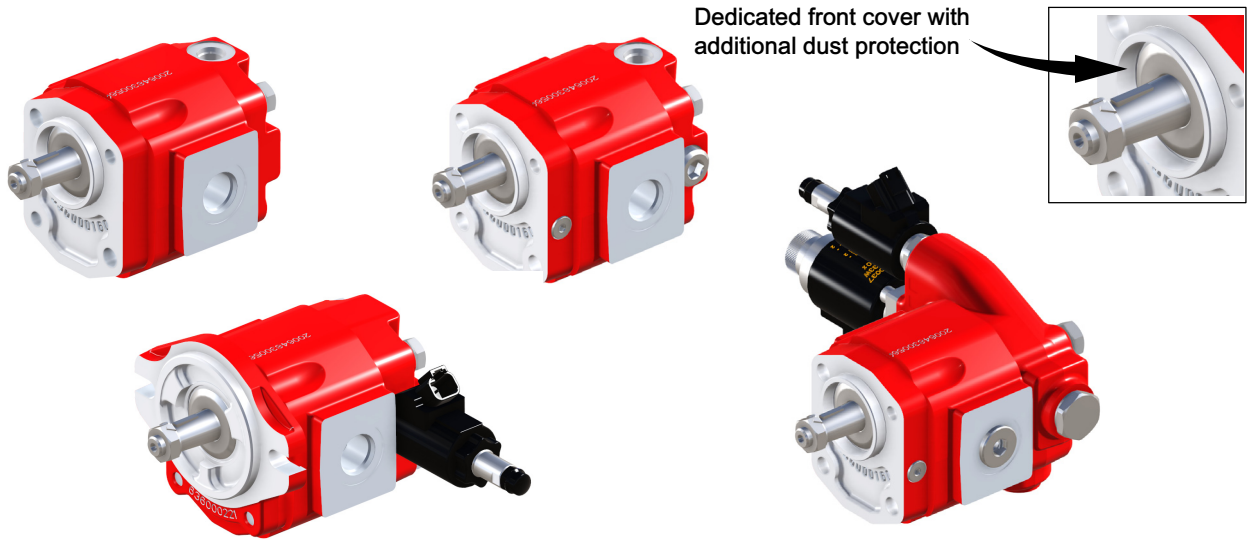
- High hydraulic and mechanical efficiencies
- Able to withstand high pressure
- Long life due to optimised materials used
- Low Noise and vibration features available also in "standard" version
- Low Noise motors with new gears profile available out-rigger bearing available

#### Examples of typical applications



## 1.2 Fan Drive Gear Motors for cooling systems

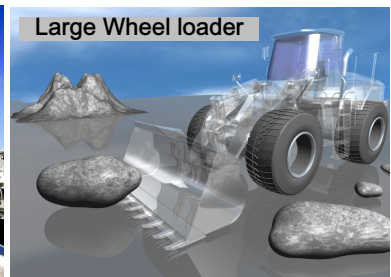
In the Fan Drive Gear Motors for cooling systems we implemented the shaft seal protection adding a dedicated sealing. Consequently, dedicated cast iron front covers have been designed. See section 3.4.2



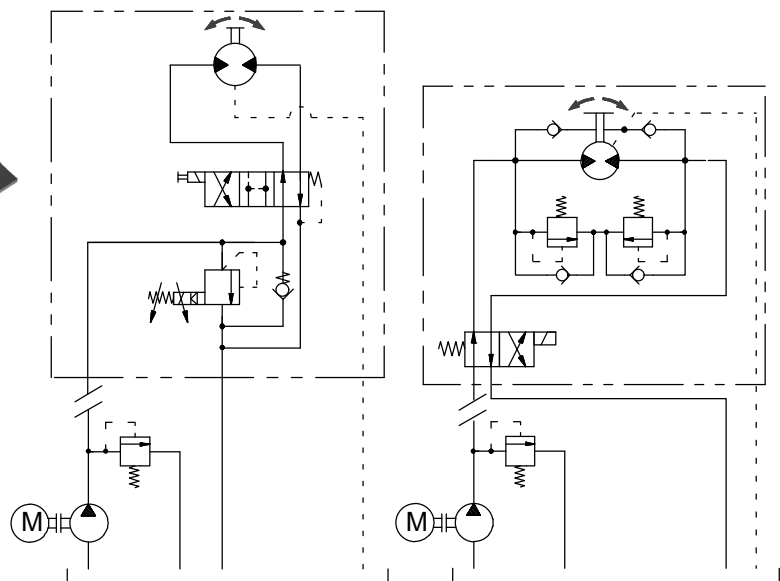
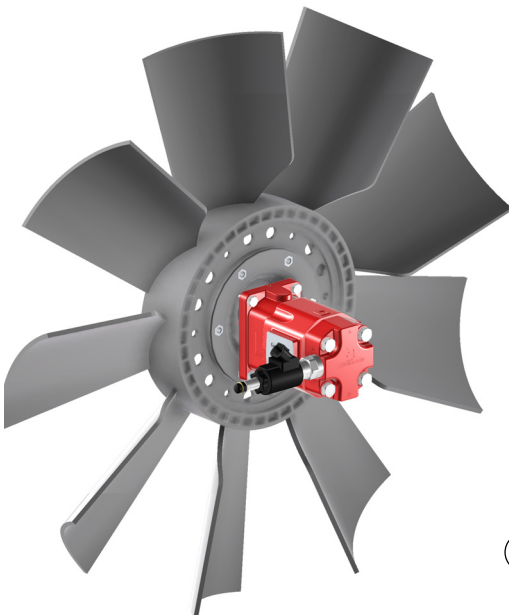
### New APM212HP motors benefits

- Improve machine operating efficiency
- Reduce the costs of maintenance
- Reduce noise and vibrations
- Allow to integrate hydraulic valves circuit
- Electronic control available

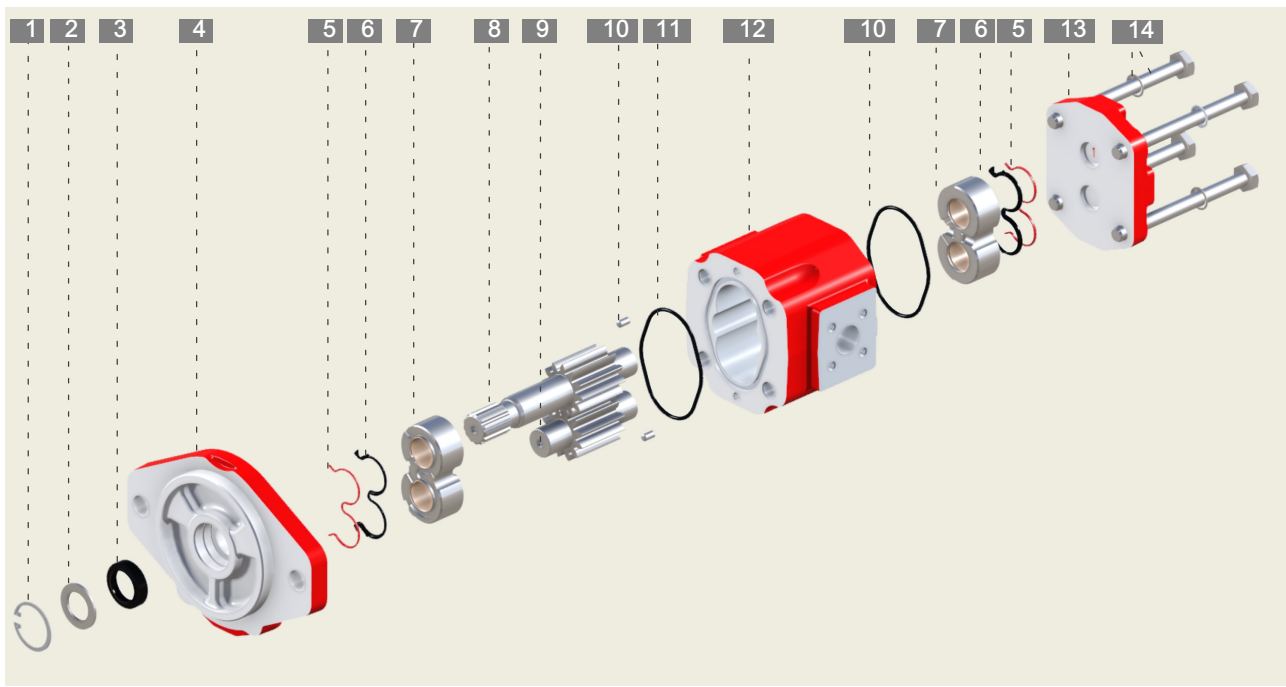
### Examples of typical applications



Hydraulic scheme examples



### 1.3 External gear motors components



1. Retaining ring
2. Shaft seal ring support
3. Shaft seal
4. Cast iron front cover
5. Back up seal
6. Balancing seal
7. Balancing block

8. Take off power gear
9. Gear
10. Oil seal
11. Centering pin
12. Cast iron motor body
13. Cast iron back cover
14. Fixing screw and washer

## 1.4 Technical data

Features		
Operating fluid temperature range (mineral oil):	NBR HNBR	-15 / +80 °C (peak: -20 / +90 °C) -20 / +90 °C (peak: -30 / +110 °C)
Recommended fluids		hydraulic mineral oil-based
Viscosity range:	Recommended Permitted Permitted for starting	20-120 mm <sup>2</sup> /s (cSt) up to 700 mm <sup>2</sup> /s (cSt) 2000 mm <sup>2</sup> /s (cSt)
Cleanliness:	recommended up to 140 bar (2000 PSI) recommended up to 210 bar (3000 PSI) recommended up to 275 bar (4000 PSI)	20/18/15 ISO 4406 19/17/14 ISO 4406 17/15/12 ISO 4406
Minimum storage temperature:	NBR HNBR	-25 °C -35 °C
Standard seals material (valves not included)		NBR + HNBR standard ( ISO1629)

Type	APM/ APMR212HP Displacement		APM/ APMR212HPLN Displacement		Max. pressure**				n min. P2 < 100 bar rpm	n min. 100<n< 180 bar rpm	n min. 180<n< P2 rpm	n max. rpm
	cm <sup>3</sup> /rev	Cu.In. P.R.	cm <sup>3</sup> /rev	Cu.In. P.R.	P1 (continuous)		P3 (peak)					
					bar	psi	bar	psi				
15	15.1	.921	15.7	.958	250	3630	300	4350	500	750	1000	3500
19	19.2	1.172	19.8	1.208	250	3630	300	4350	500	750	1000	3500
22	22.2	1.355	23	1.404	250	3630	300	4350	500	750	1000	3000
26	26.2	1.599	27.1	1.654	250	3630	280	4060	500	750	1000	2800
29 (*)	28.9	1.764	29.9	1.825	220	3190	250	3630	500	750	1000	2500
33 (*)	33	2.014	34.1	2.081	200	2900	240	3480	500	750	1000	2400

(\*) Displacements on request: please contact our Sales Department.

(\*\*) Referred to motors with flanged ports. Utilising threaded ports, please to consider a significantly de-rated performances.

The mechanical stress localised on threaded ports cause a re-duced motor life performances



**IMPORTANT!** Please consult Bucher Hydraulics if even one of the operating limits indicated in the table (temperature, pressure, rpm) is exceeded, as well as in the case of two or more maximum values at the same time, or for applications with particularly heavy-duty cycles

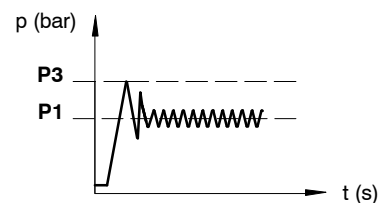
## 1.5 High inlet pressure

Pressure levels:

P1 = continuous pressure

P3 = max peak pressure

Application of motor operating at a high number of load cycles has to be submitted to our approval.

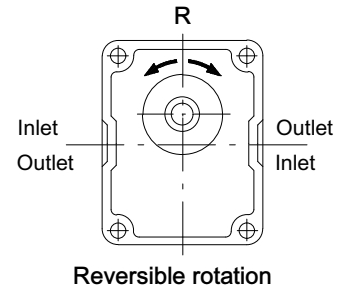
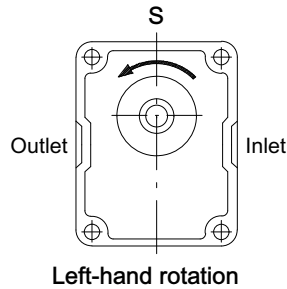
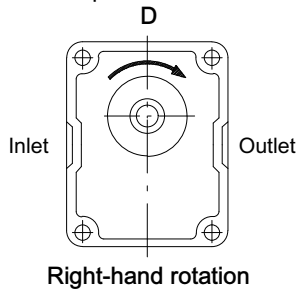


## 1.6 Identifying the rotation direction

The rotation direction of a gear motor is identified by looking at the motor from the front and with the drive gear turned upwards (see figures below).

Motors with clockwise rotation (D) have a drive gear which turns clockwise, with the inlet port on the left and the outlet port on the right.

Motors with counterclockwise rotation (S) have a drive gear which turns counterclockwise, with the inlet port on the right and the outlet port on the left.



The figure also shows the pressure flow inside the motors as the oil is transferred from the inlet port to the outlet port. As regards reversible motors (R), the ports are alternatively for inlet and outlet.

Motors with a unidirectional rotation (D or S) have the denomination APM. Motors with reversible rotation have the denomination APMR. Motors with "Low Noise" components have the denomination LN.

## 1.7 Outlet

### 1.7.1 Unidirectional motors

As a matter of principle, unidirectional motors correspond to counter rotating motors.

The balancing seals are not symmetric and, consequently, two different pressure sides: inlet High-pressure and outlet Low-pressure side, which must not be exchanged each other, are defined.

The outlet Low-pressure side loads the back side of the oil retaining shaft seal, a dedicated steel ring for supporting it, is adopted.

The maximum outlet Low-pressure value is limited by the shaft seal and its support, see limit indications, page 9/56

To keep P out below the suggested value, the following must be avoided:

- long distance between motor and tank
- long stretches of piping
- special features such as: bends; reductions in diameter;

### 1.7.2 Reversible motors

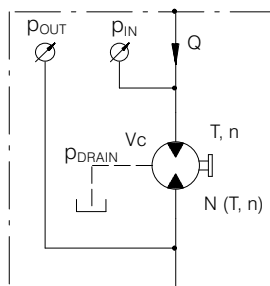
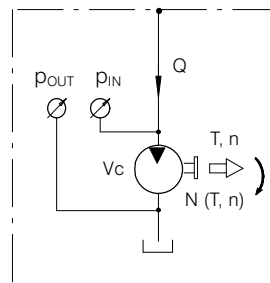
Reversible rotating motors have symmetric balancing seals and both port, inlet and outlet, can be, alternatively, operate as inlet High-pressure and outlet Low-pressure port.

A sealed area is connected to the back side of the oil retaining shaft seal and its pressure must be limited connecting it to the tank, through a drain threaded port, which is generally, placed on the motor rear cover.

The drain hose must be chosen in order to avoid that the pressure at the drain port does not exceed the maximum admitted pressure, see limit indications, page 9/56.

quick couplings; etc.

Having filtration on the return it is also advisable to choose a filter of a suitable size to minimise any pressure drop and to take measures to prevent gradual clogging over time.



## 1.8 Radial and axial load

### 1.8.1 Standard version

Bucher APM212 gear motors are suitable to work also when radial and axial loads are applied to it.

In order to guarantee the correct life of the hydraulic motor, it is necessary to let the component work within the limits indicated in the table below:

Radial load	100 N
Axial load	500 N

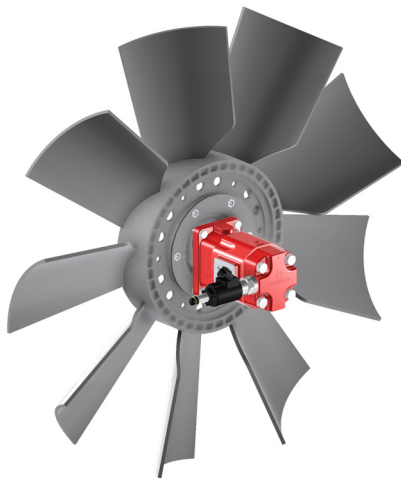
### 1.8.2 Bearing front cover support

High values of radial and axial loads can cause the wear of the motor internal components; as a consequence, motor performance and life can be dramatically reduced.

Bucher Hydraulics studied special front covers having a bearing on-board which allow the motor to tolerate loads higher than the previous ones shown in 1.8.1

When the hydraulic motor is assembled in an application using a coupling, the joint must be able to absorb any discrepancies in the coaxial alignment of the gear motor-driven shaft without applying any loads on the motor shaft.

In the coupling between splined shafts, the connection sleeve must be free to move along its axis; the length of this



## 1.9 Application check

In order to extend the life of the gear motor (which depends on motor speed, system pressure, and other system parameters), Bucher Hydraulics strongly recommends the following actions:

- **Perform a prototype testing programme** in order to check its functionality and its behaviour with the machine which will be equipped with this component.
- **Avoid cavitation**; every action which reduces the quantity of air trapped in the system is worth to extend all system components life.
- **A maintenance of the fluid and of the filtering system** has to be regularly accomplished. A clean fluid can extend the life of the system reducing its consequent failures.

What shown must be considered the worst load conditions which our motors have to submit to.

**Radial load:** the maximum admissible radial loads must be calculated considering both the fan weight and the unbalanced mass.

**Axial load:** the limits of axial loads apply to both directions (in inwards and in outwards).

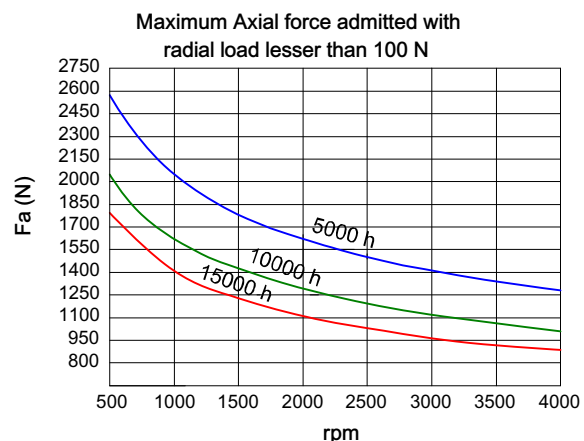
When radial and/or axial loads exceed the above stated values, a front bearing support must be adopted.

sleeve must be sufficient to fully cover the splined sections of the motor-driven shaft in any of its positions. A clearance between shaft ends is necessary.

It's important to check that the spline coupling is reasonably lubricated allowing its protection against a rapid deterioration.

Should any radial and/or axial loads be applied to the take-off-shaft (e.g. when it is coupled to a V-belt and pulley or to a pair of gear wheels), a front cover with supporting bearings.

Depending on the motor model, these supports can replace the front cover of the motor or can be fitted in addition to it (assembling it on the front cover itself).



Before to introduce the motor into the machine it is necessary to check if the application match the motor specifications. In particular:

#### 1. Pressure limits

It is important to remain inside the catalogue limits as P1 (continuous) and P3 (peak) see section 1.2.

#### 2. Return line and/or case drain line

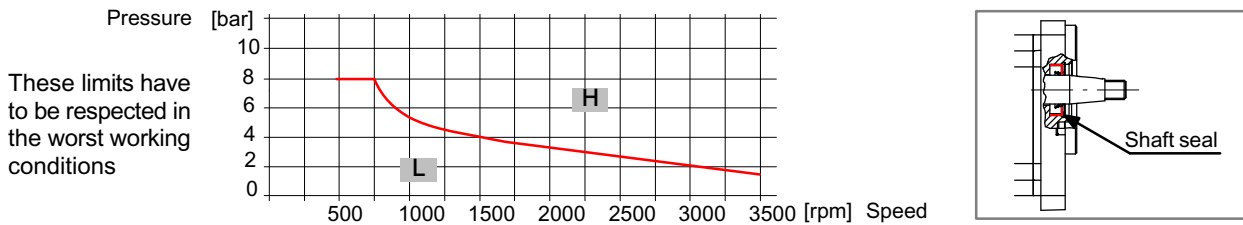
The case drain line must be connected directly to tank if possible using a dedicated connection. The connection size should be dimensioned with appropriated internal passage in order to maintain as low as possible the pressure inside. The max allowed pressure depending on the speed and the viscosity. See limit indications, page 9/56



## Limit indications:

### Shaft seal: Maximum pressure admitted

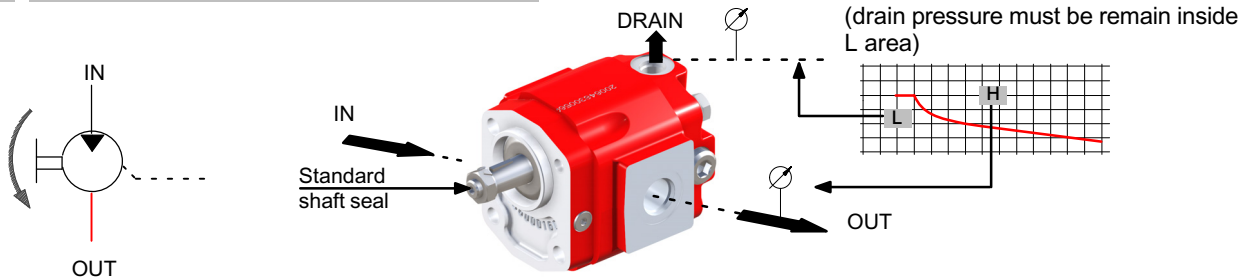
**IMPORTANT!** The pressure on the outlet line has to be checked in order to choose the right motor configuration. Different solutions are available depending on pressure value recorded. See examples from 1 to 4



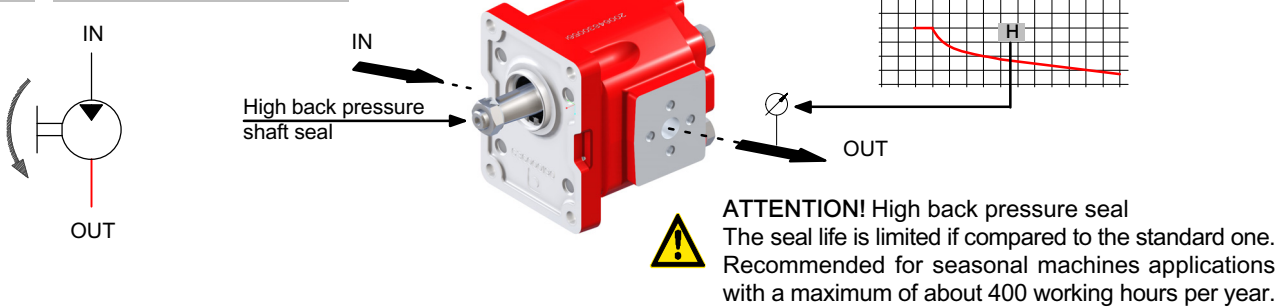
#### 1 Unidirectional motor APM



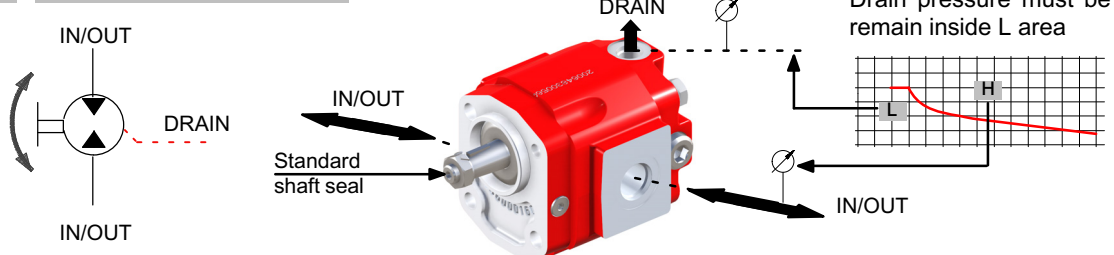
#### 2 Bidirectional motor used in only one direction



#### 3 Unidirectional motor APM



#### 4 Bidirectional motor APMR



### 1.10 General installation precaution

In addition to the recommendations regarding fluids, filtration, coupling, etc., we suggest the following:

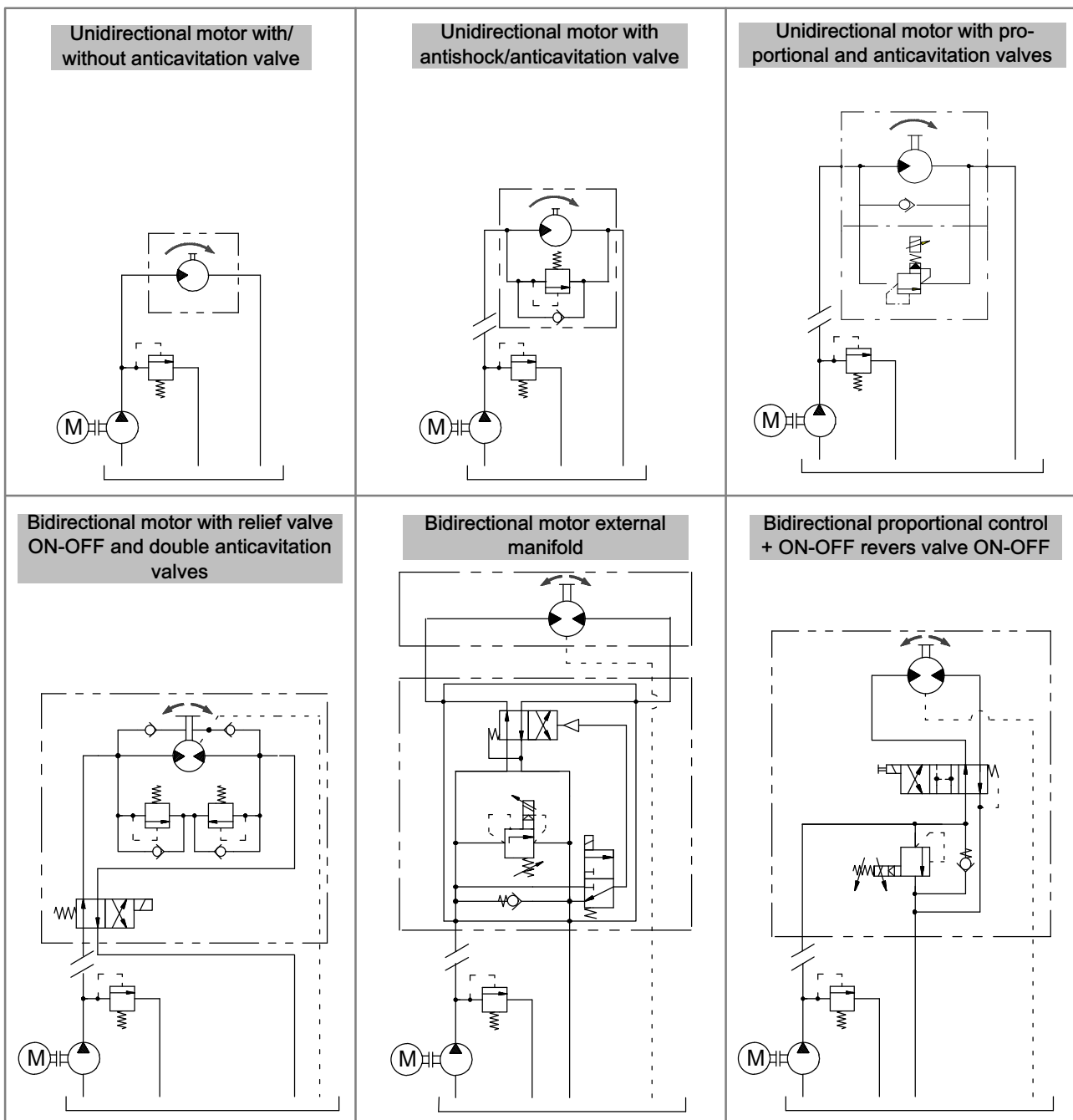
- For unidirectional motors check always the rotation direction of the motor's take off shaft; it must be compatible with the rotation direction of the motor itself.
- Be particularly careful in cleaning and make sure, when connecting the high and low pressure piping, that no chips, rag threads, teflon tape, etc. get into the motor circulation system.
- Check the tightness of the high and low pressure fittings, the correct positioning of the O-Ring, and make sure there is no dirt between the flange and the motor body.
- To ensure the best heat distribution inside the tank,

make sure the return pipe is not too close to the motor's Outlet piping.

The pipes themselves should be below oil tank level to prevent the formation of foam.

- Do not subject the motors to operating conditions different from those indicated on section 1.2 ; for extreme operations, always contact our Technical Department.
- Never use fluids different from those indicated in section 1.2.
- Ambient temperature range: -20 / +50 °C
- In the event of motor painting, do not use solvents or paints that are incompatible with the material of the seals. Do not bake paint with excessively high temperatures.

Example of several hydraulic circuits available:



## 1.11 Directives and standards

- Atex:

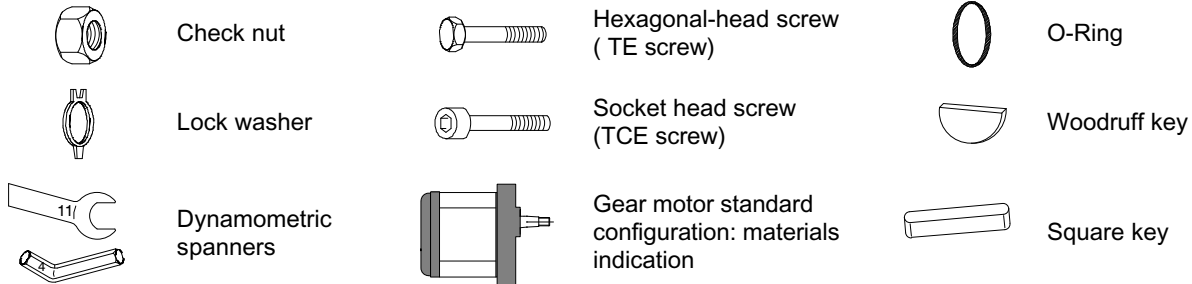


Attention: The equipment and protective systems of this catalogue ARE NOT intended for use in potentially explosive atmospheres. Ref: Directive 99/92/EC and Directive 2014/34/EU

- ISO 9001:2015 / ISO 14001:2015

Bucher Hydraulics S.p.A. is certified for research, development and production of directional control valves, power units, gear pumps and motors, electro pumps, cartridge valves and integrated manifolds for hydraulic applications.

## 1.12 Non-standard symbols used in the text

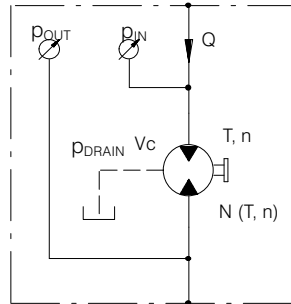
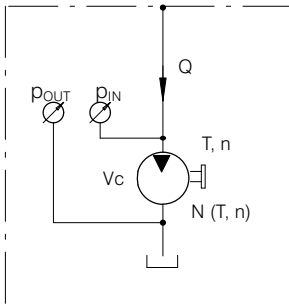
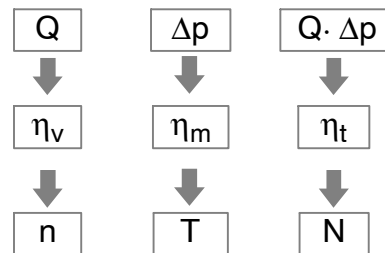


## 1.13 Gear motor formulas

The following parameters are defined:

**V<sub>c</sub>** = (cm<sup>3</sup>/r) motor displacement;  
**n** = (r/min) no. of rpm of the outlet shaft;  
**Q** = (l/min) flow rate;  
**Δp** = (bar) P<sub>IN</sub>-P<sub>OUT</sub>, operating Δp pressure;  
**T** = (Nm) outlet torque;  
**N** = (kW) outlet power;  
**η<sub>v</sub>** = (%) volumetric efficiency;  
**η<sub>m</sub>** = (%) mechanical efficiency;  
**η<sub>t</sub>** = (%) total efficiency (η<sub>t</sub> = η<sub>v</sub> · η<sub>m</sub>)

### 1.13.1 Parameter relationships



$$Q = \frac{V_c \cdot n}{10 \cdot \eta_v}$$

$$\Delta p = \frac{T}{1.592 \cdot V_c \cdot \eta_m} \cdot 10^4$$

$$V_c = \frac{10 \cdot Q}{n} \cdot \eta_v$$

$$V_c = \frac{T}{1.592 \cdot \Delta p \cdot \eta_m} \cdot 10^4$$

$$n = \frac{10 \cdot Q}{V_c} \cdot \eta_v$$

$$T = 1.592 \cdot V_c \cdot \Delta p \cdot \eta_m \cdot 10^{-4}$$

$$N = \frac{Q \cdot \Delta p}{6 \cdot 10^4} \cdot \eta_t$$

### Example

APM212HP/11 V<sub>c</sub> = 11.1 cm<sup>3</sup>/r Q<sub>IN</sub> = 18.5 l/min Δp = 200 bar η<sub>v</sub> = 90% η<sub>m</sub> = 90%

$$n = \frac{10 \cdot 18.5}{11.1} \cdot 90 = 1500 \text{ r/min.}$$

$$\eta_t = 0.90 \cdot 0.90 = 0.81 = 81\%$$

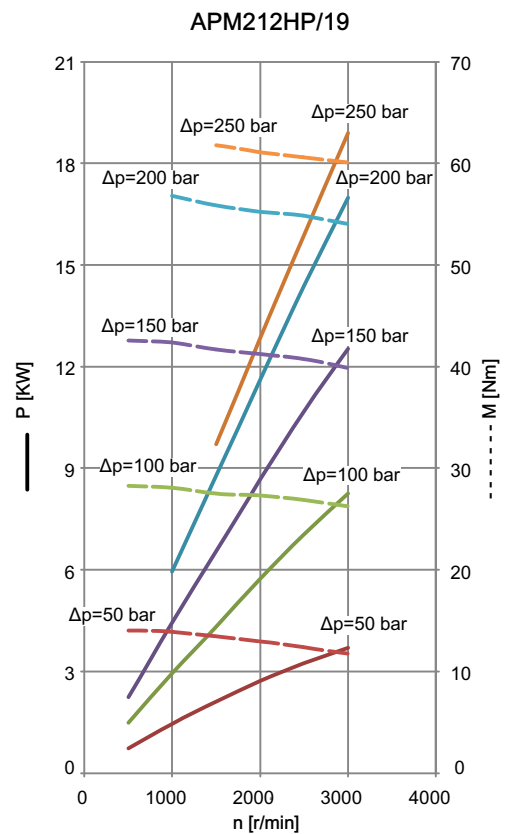
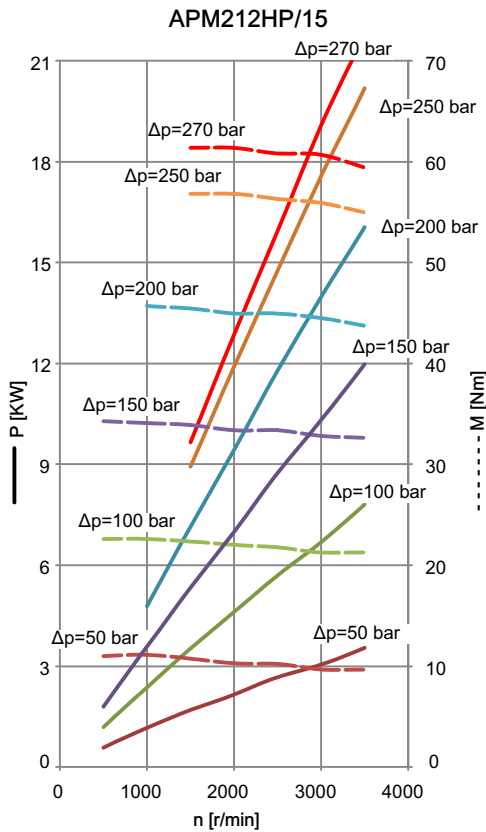
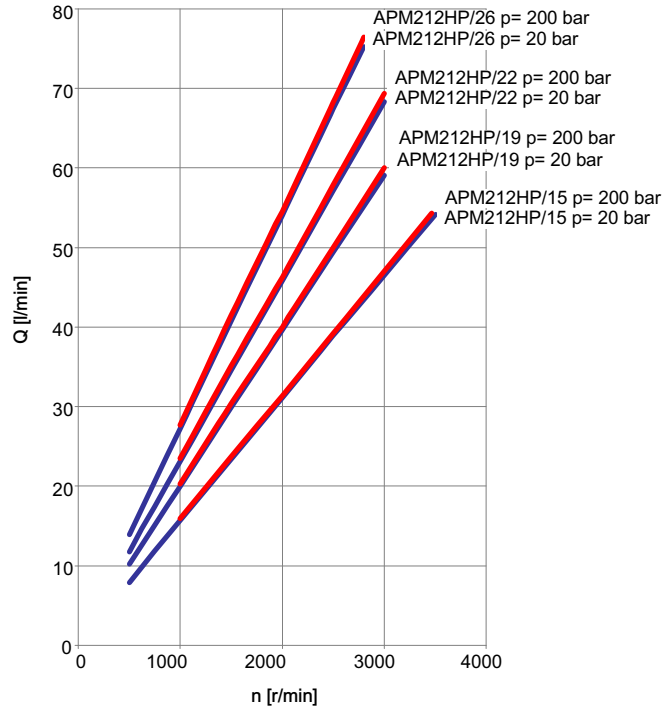
$$N = \frac{18.5 \cdot 200 \cdot 81}{6 \cdot 10^4} = 5.0 \text{ kW}$$

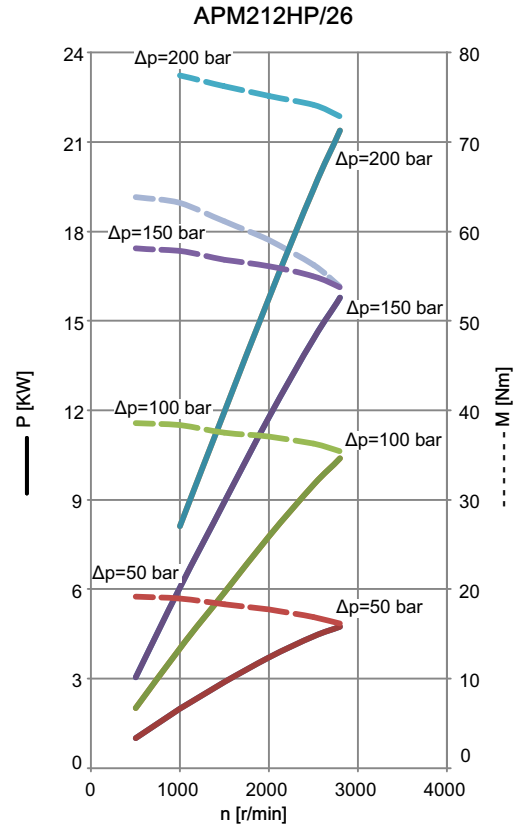
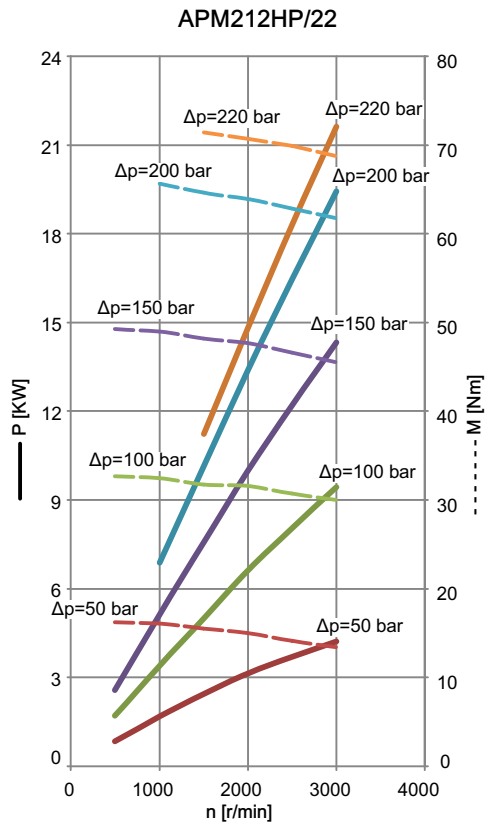
$$T = 1.592 \cdot 11.1 \cdot 200 \cdot 90 \cdot 10^{-4} = 31.8 \text{ Nm}$$

## 1.14 Diagrams APM212HP

Oil viscosity: 37 mm<sup>2</sup>/s

Oil temperature: 40°C

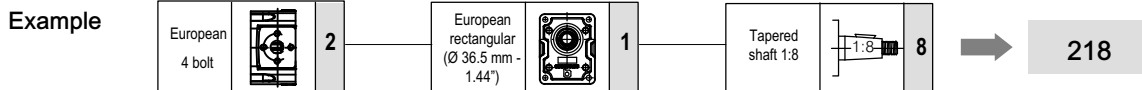




## 2 Overview standard types

This motors configuration are considered as "standard".

218	818	225	227	235	245	237	247
887S	880	887S-NPTF	880-NPTF	287S-B	280-B	287S-SAEB	



In the next pages, front, rear cover, and seals materials are listed for each motor series.

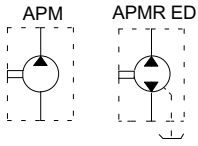
For ordering purposes, it is enough to outline the complete motor description (for example: APM212HP/15 D 218).

In case of a different configuration request (or a combination of different features, such as port threads, front flange materials, etc.), the description configurator shown in section 3.1 can be easily used.

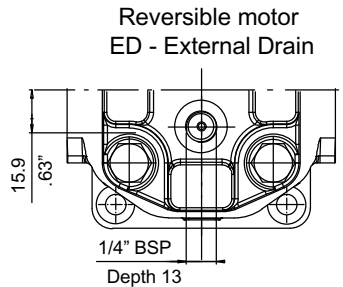
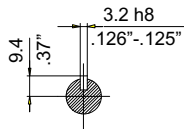
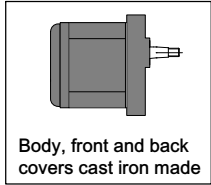
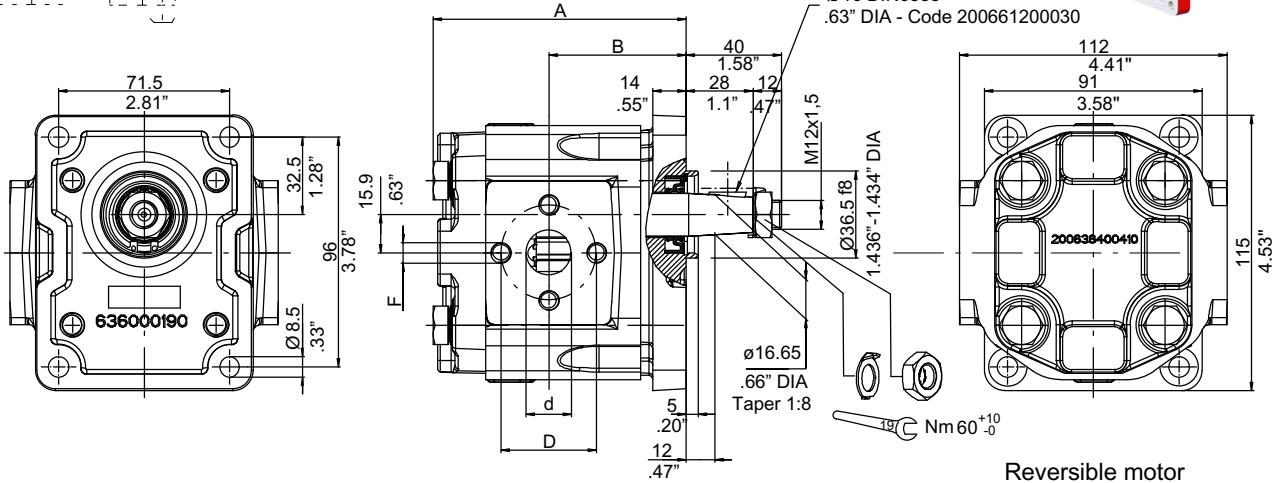
### 2.1 Standard configuration

Port type			Front cover type (cast iron made)			Drive shaft		
European 4 bolts flanged		2	European rectangular (Ø 36.5 mm - 1.44")		1	Tapered shaft 1:8		8
German 4 bolts flanged		2	German rectangular (Ø 80 mm - 3.15 inches)		2	Tapered shaft 1:5		5
BSPP Threaded ports		8	Through 2 bolts (Ø 50 mm - 1.97")		3	9 Teeth external spline B17X14 DIN5482		7
SAE Threaded ports		8	Through 2 bolts (Ø 50 mm - 1.97")		4	9 teeth external spline SAE J 498-9T 16/32 DP		7S
NPTF Threaded ports		8	SAE-A 2 bolts (Ø 82.55 mm - 3.25 inches)		8	Straight keyed Ø 15.85 mm - 0.62 inches		0
			SAE-B 2 bolts (Ø 101,6 mm - 4 inches)		8			

Serie	page	Serie	page	Serie	page
<b>218</b>	16	<b>818</b>	17	<b>225</b>	18
					
<b>227</b>	19	<b>235 - 245</b>	20 21	<b>237 - 247</b>	22 23
					
<b>887S</b>	24	<b>880</b>	25	<b>887S-NPTF</b>	26
					
<b>880-NPTF</b>	27	<b>287S-B</b>	28	<b>280-B</b>	29
					
<b>287S-SAEB</b>	30				
					



**Serie 218**



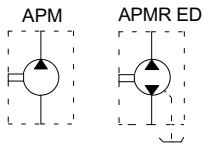
Shaft max torque: see section 3.3  
Tightening torque: see section 3.5 - 3.6

Type	Displacement cm <sup>3</sup> /rev		Dimensions				Outlet					Inlet														
	APM212HP	APM212HPLN	mm	inch	mm	inch	d	inch	D	inch	F	d	inch	D	inch	F										
15	15.1	15.7	105.6	4.16	57.3	2.26	19	.75	40	1.58	M8X 1.25	13.5	.53	30	1.18	M6X1										
19	19.2	19.8	111.6	4.39	60.3	2.37						19	.75	40	1.58		M8X 1.25	19	.75	40	1.58					
22	22.2	23	116.6	4.59	62.55	2.46												19	.75	40	1.58	M8X 1.25	19	.75	40	1.58
26	26.2	27.1	122.1	4.81	65.55	2.58																				
29	28.9	1.764	Displacements on request: please contact our Sales Department																							
33	33	2.014																								

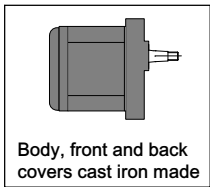
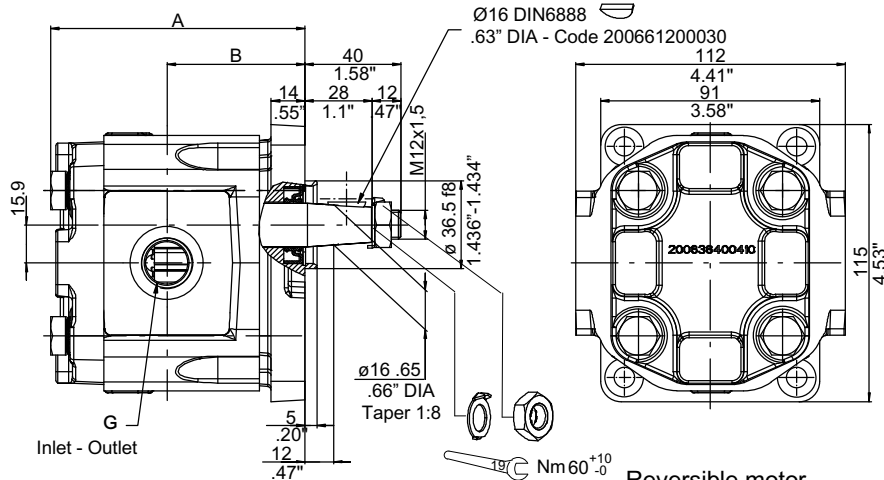
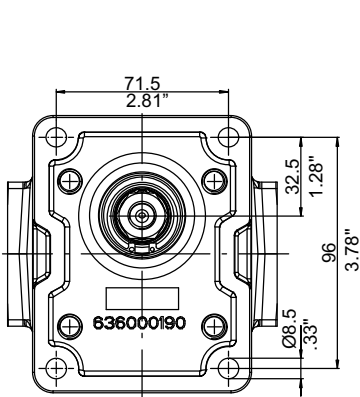
Clockwise rotation: D		Counter-clockwise rotation: S		Reversible motor External Drain	
Standard	Low Noise	Standard	Low Noise	Standard	Low Noise
APM212HP/15 D 218	APM212HP/15LN D 218	APM212HP/15 S 218	APM212HP/15LN S 218	APMR212HP/15 ED 218	APMR212HP/15LN ED 218
APM212HP/19 D 218	APM212HP/19LN D 218	APM212HP/19 S 218	APM212HP/19LN S 218	APMR212HP/19 ED 218	APMR212HP/19LN ED 218
APM212HP/22 D 218	APM212HP/22LN D 218	APM212HP/22 S 218	APM212HP/22LN S 218	APMR212HP/22 ED 218	APMR212HP/22LN ED 218
APM212HP/26 D 218	APM212HP/26LN D 218	APM212HP/26 S 218	APM212HP/26LN S 218	APMR212HP/26 ED 218	APMR212HP/26LN ED 218

For reversible motors alternative inlet and outlet ports have the same sizes as per inlet unidirectional rotation.

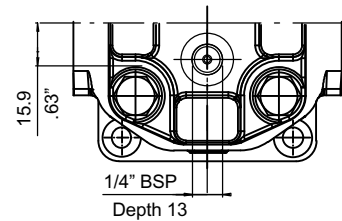
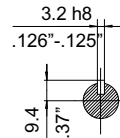




Serie  
818



Shaft max torque: see section 3.3  
Tightening torque: see section 3.5 -3.6

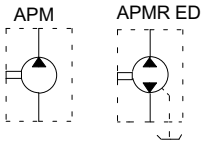


Reversible motor  
ED - External Drain

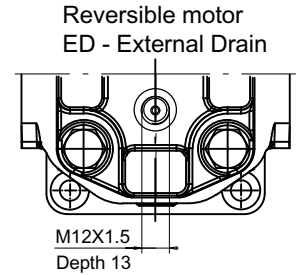
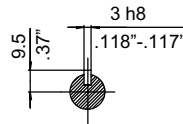
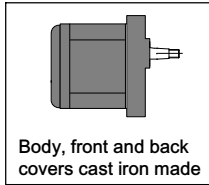
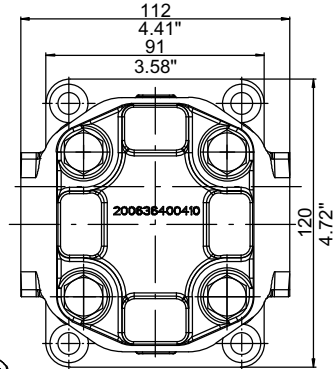
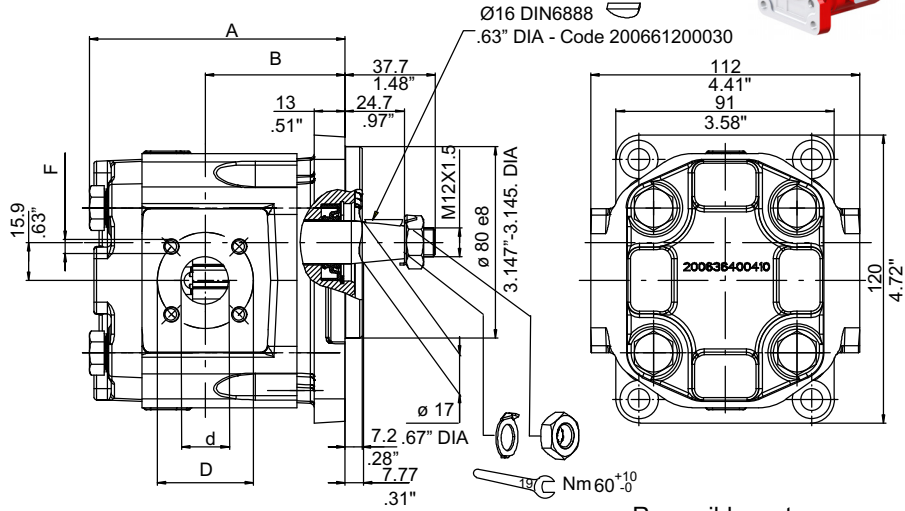
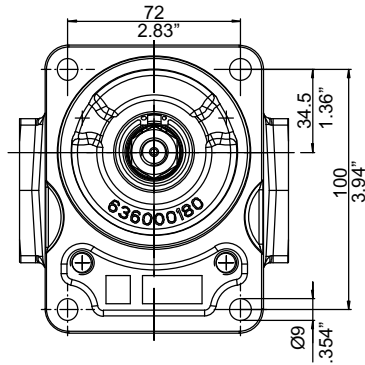
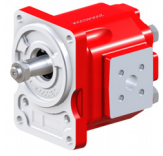
Type	Displacement cm <sup>3</sup> /rev		Dimensions				Outlet G	Inlet G
	APM212HP	APM212HPLN	A		B			
			mm	inch	mm	inch	BSP	BSP
15	15.1	15.7	105.6	4.16	57.3	2.26	1/2"	3/8"
19	19.2	19.8	111.6	4.39	60.3	2.37	3/4"	1/2"
22	22.2	23	116.6	4.59	62.55	2.46		
26	26.2	27.1	122.1	4.81	65.55	2.58		
29	28.9	1.764	Displacements on request: please contact our Sales Department					
33	33	2.014						

Clockwise rotation: D		Counter-clockwise rotation: S		Reversible motor External Drain	
Standard	Low Noise	Standard	Low Noise	Standard	Low Noise
APM212HP/15 D 818	APM212HP/15LN D 818	APM212HP/15 S 818	APM212HP/15LN S 818	APMR212HP/15 ED 818	APMR212HP/15LN ED 818
APM212HP/19 D 818	APM212HP/19LN D 818	APM212HP/19 S 818	APM212HP/19LN S 818	APMR212HP/19 ED 818	APMR212HP/19LN ED 818
APM212HP/22 D 818	APM212HP/22LN D 818	APM212HP/22 S 818	APM212HP/22LN S 818	APMR212HP/22 ED 818	APMR212HP/22LN ED 818
APM212HP/26 D 818	APM212HP/26LN D 818	APM212HP/26 S 818	APM212HP/26LN S 818	APMR212HP/26 ED 818	APMR212HP/26LN ED 818

For reversible motors alternative inlet and outlet ports have the same sizes as per inlet unidirectional rotation.



Serie  
225



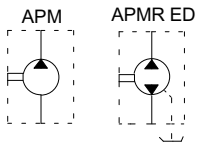
Shaft max torque: see section 3.3

Tightening torque: see section 3.5 - 3.6

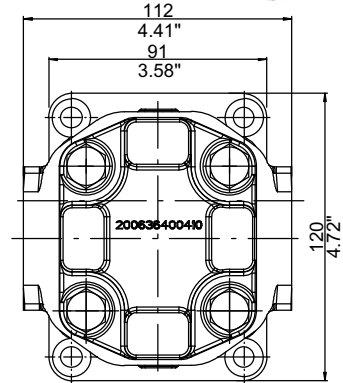
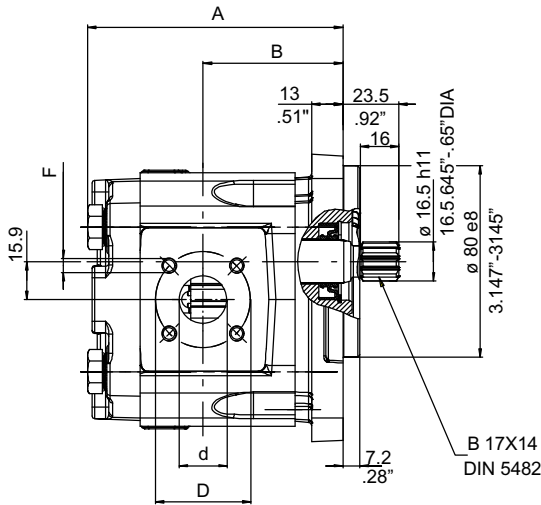
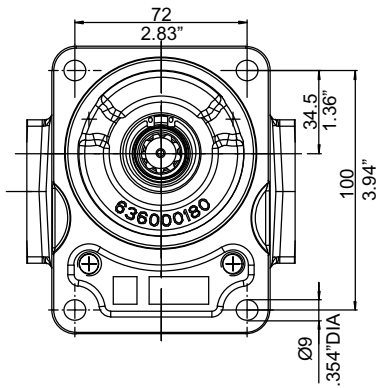
Type	Displacement cm <sup>3</sup> /rev		Dimensions				Outlet			Inlet						
	APM212HP	APM212HPLN	A	B	d	D	F	d	D	F						
			mm	inch	mm	inch	mm	inch	mm	inch	mm	inch	mm			
15	15.1	15.7	106.6	4.20	58.3	2.30										
19	19.2	19.8	112.6	4.43	61.3	2.41	20	.79	40	1.58	M6 x1	15	.59	35	1.38	M6 x1
22	22.2	23	117.1	4.61	63.55	2.50										
26	26.2	27.1	123.1	4.85	66.55	2.62										
29	28.9	1.764	Displacements on request: please contact our Sales Department													
33	33	2.014														

Clockwise rotation: D		Counter-clockwise rotation: S		Reversible motor External Drain	
Standard	Low Noise	Standard	Low Noise	Standard	Low Noise
APM212HP/15 D 225	APM212HP/15LN D 225	APM212HP/15 S 225	APM212HP/15LN S 225	APMR212HP/15 ED 225	APMR212HP/15LN ED 225
APM212HP/19 D 225	APM212HP/19LN D 225	APM212HP/19 S 225	APM212HP/19LN S 225	APMR212HP/19 ED 225	APMR212HP/19LN ED 225
APM212HP/22 D 225	APM212HP/22LN D 225	APM212HP/22 S 225	APM212HP/22LN S 225	APMR212HP/22 ED 225	APMR212HP/22LN ED 225
APM212HP/26 D 225	APM212HP/26LN D 225	APM212HP/26 S 225	APM212HP/26LN S 225	APMR212HP/26 ED 225	APM212HP/26LN ED 225

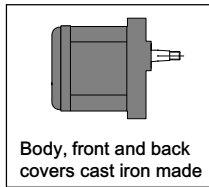
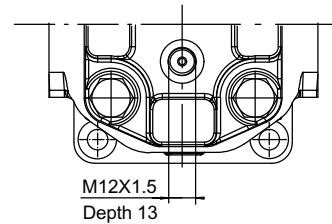
For reversible motors alternative inlet and outlet ports have the same sizes as per inlet unidirectional rotation.



Serie  
227



Reversible motor  
ED - External Drain



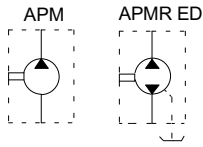
Shaft max torque: see section 3.3

Tightening torque: see section 3.5 - 3.6

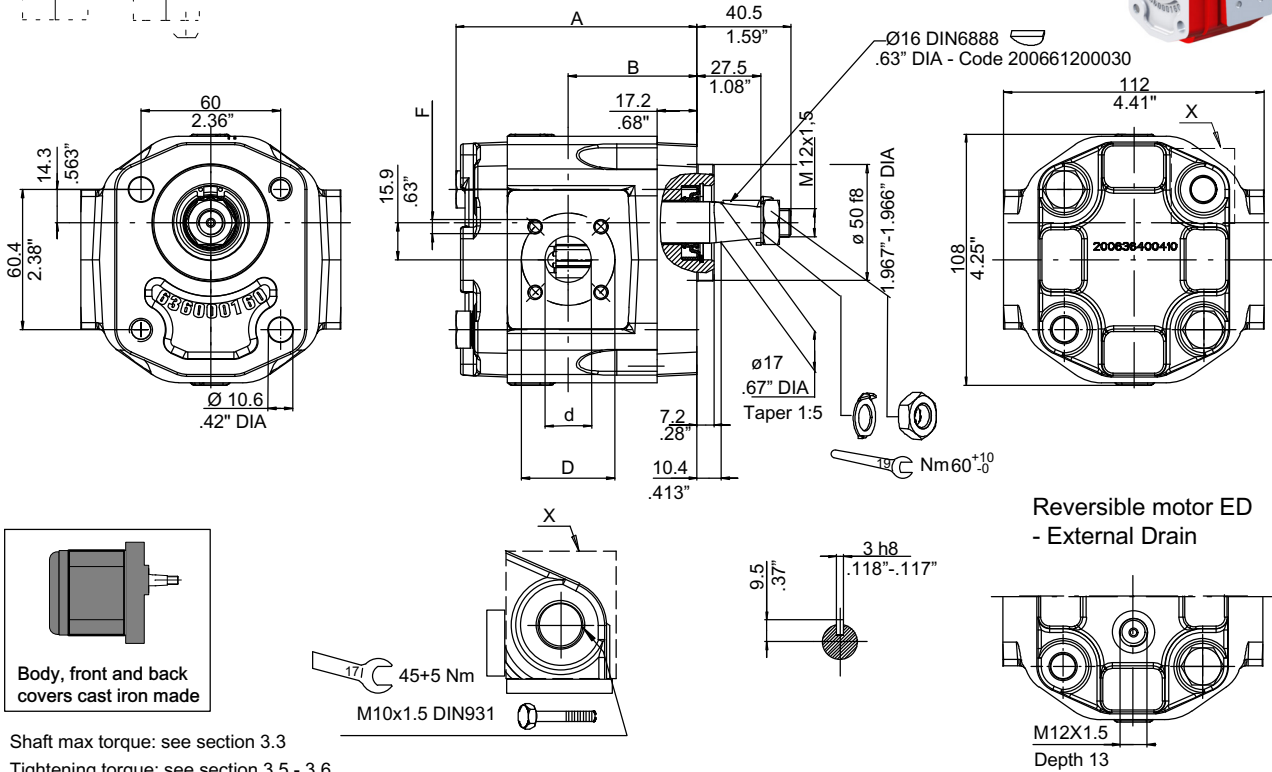
Type	Displacement cm <sup>3</sup> /rev		Dimensions				Outlet					Inlet				
	APM212HP	APM212HPLN	A	B	d	D	F	d	D	F	d	D	F			
			mm	inch	mm	inch	mm	inch	mm	inch	mm	inch	mm	inch	mm	
15	15.1	15.7	106.6	4.20	58.3	2.30										
19	19.2	19.8	112.6	4.43	61.3	2.41	20	.79	40	1.58	M6 x1	15	.59	35	1.38	M6 x1
22	22.2	23	117.1	4.61	63.55	2.50										
26	26.2	27.1	123.1	4.85	66.55	2.62										
29	28.9	1.764	Displacements on request: please contact our Sales Department													
33	33	2.014														

Clockwise rotation: D		Counter-clockwise rotation: S		Reversible motor External Drain	
Standard	Low Noise	Standard	Low Noise	Standard	Low Noise
APM212HP/15 D 227	APM212HP/15LN D 227	APM212HP/15 S 227	APM212HP/15LN S 227	APMR212HP/15 ED 227	APMR212HP/15LN ED 227
APM212HP/19 D 227	APM212HP/19LN D 227	APM212HP/19 S 227	APM212HP/19LN S 227	APMR212HP/19 ED 227	APMR212HP/19LN ED 227
APM212HP/22 D 227	APM212HP/22LN D 227	APM212HP/22 S 227	APM212HP/22LN S 227	APMR212HP/22 ED 227	APMR212HP/22LN ED 227
APM212HP/26 D 227	APM212HP/26LN D 227	APM212HP/26 S 227	APM212HP/26LN S 227	APMR212HP/26 ED 227	APMR212HP/26LN ED 227

For reversible motors alternative inlet and outlet ports have the same sizes as per inlet unidirectional rotation.



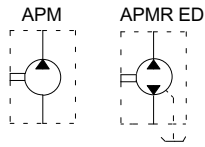
Serie  
235



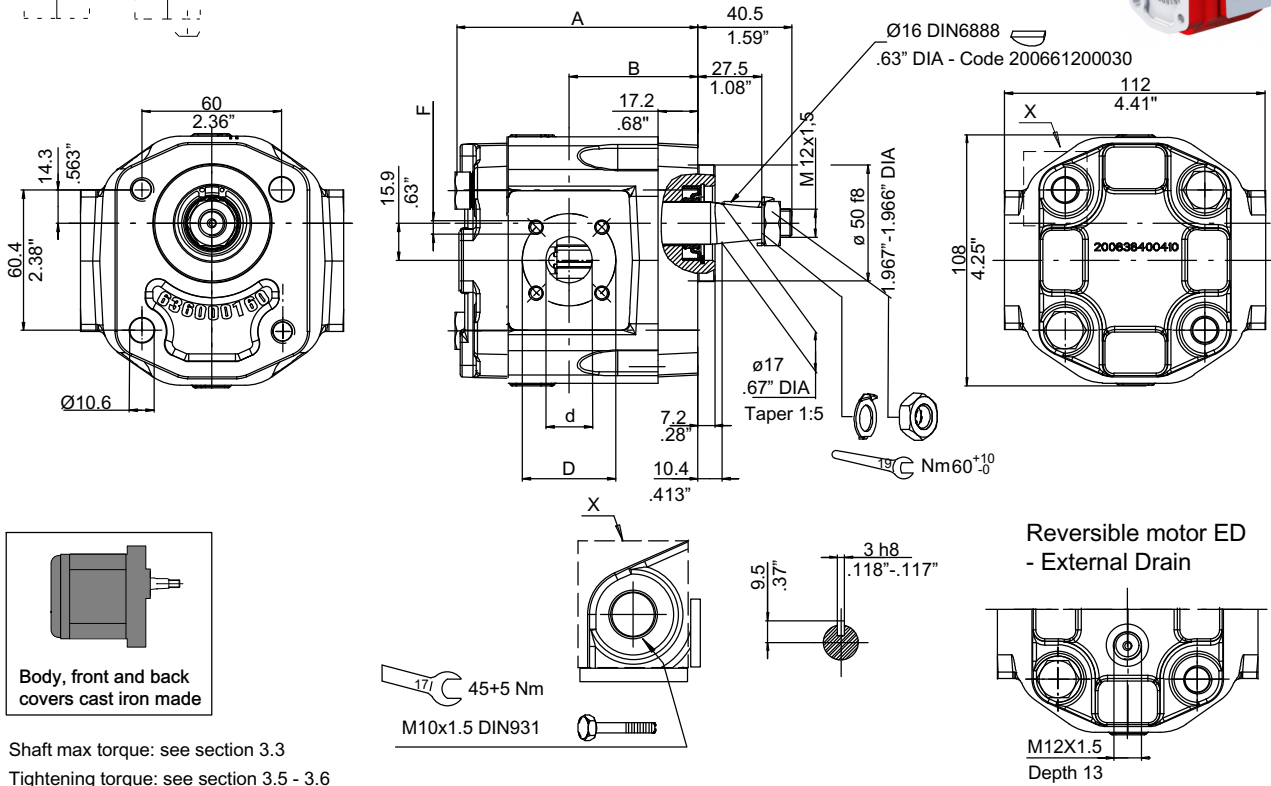
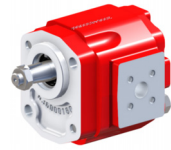
Type	Displacement cm <sup>3</sup> /rev		Dimensions				Outlet					Inlet				
	APM212HP	APM212HPLN	A	B	d	D	F	d	D	F	d	D	F			
			mm	inch	mm	inch	mm	inch	mm	inch	mm	inch	mm	inch	mm	
15	15.1	15.7	103.8	4.09	55.5	2.19	20	.79	40	1.58	M6 x1	15	.59	35	1.38	M6 x1
19	19.2	19.8	109.8	4.32	58.5	2.30										
22	22.2	23	114.3	4.5	60.75	2.39										
26	26.2	27.1	120.3	4.74	63.75	2.51										
29	28.9	1.764	Displacements on request: please contact our Sales Department													
33	33	2.014														

Clockwise rotation: D		Counter-clockwise rotation: S		Reversible motor External Drain	
Standard	Low Noise	Standard	Low Noise	Standard	Low Noise
APM212HP/15 D 235	APM212HP/15LN D 235	APM212HP/15 S 235	APM212HP/15LN S 235	APMR212HP/15 ED 235	APMR212HP/15LN ED 235
APM212HP/19 D 235	APM212HP/19LN D 235	APM212HP/19 S 235	APM212HP/19LN S 235	APMR212HP/19 ED 235	APMR212HP/19LN ED 235
APM212HP/22 D 235	APM212HP/22LN D 235	APM212HP/22 S 235	APM212HP/22LN S 235	APMR212HP/22 ED 235	APMR212HP/22LN ED 235
APM212HP/26 D 235	APM212HP/26LN D 235	APM212HP/26 S 235	APM212HP/26LN S 235	APMR212HP/26 ED 235	APMR212HP/26LN ED 235

For reversible motors alternative inlet and outlet ports have the same sizes as per inlet unidirectional rotation.



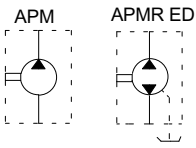
Serie  
245



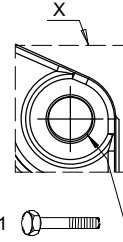
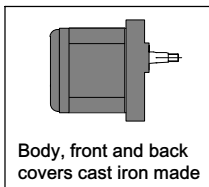
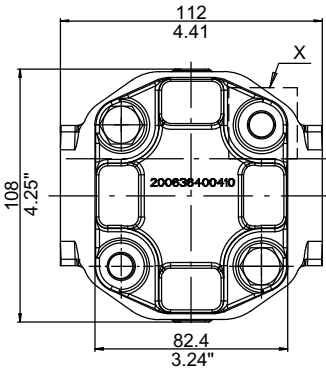
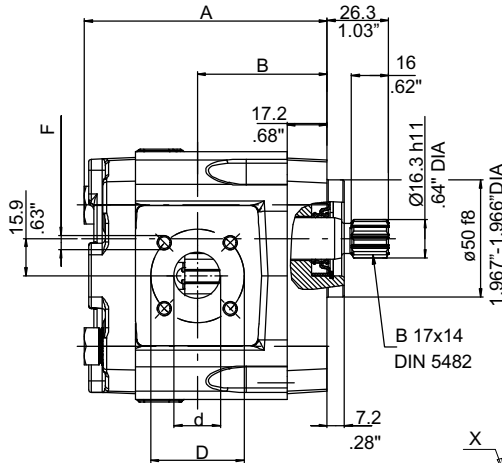
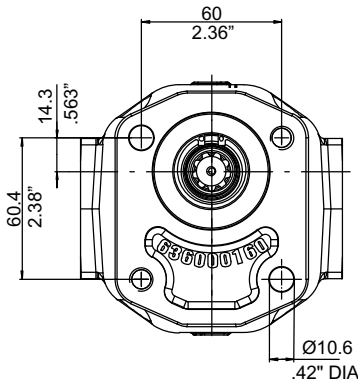
Type	Displacement cm <sup>3</sup> /rev		Dimensions				Outlet			Inlet						
	APM212HP	APM212HPLN	A	B	d	D	F	d	D	F						
			mm	inch	mm	inch	mm	inch	mm	inch	mm	inch	mm			
15	15.1	15.7	103.8	4.09	55.5	2.19	20	.79	40	1.58	M6X1	15	.59	35	1.38	M6X1
19	19.2	19.8	109.8	4.32	58.5	2.30										
22	22.2	23	114.3	4.5	60.75	2.39										
26	26.2	27.1	120.3	4.74	63.75	2.51										
29	28.9	1.764	Displacements on request: please contact our Sales Department													
33	33	2.014														

Clockwise rotation: D		Counter-clockwise rotation: S		Reversible motor External Drain	
Standard	Low Noise	Standard	Low Noise	Standard	Low Noise
APM212HP/15 D 245	APM212HP/15LN D 245	APM212HP/15 S 245	APM212HP/15LN S 245	APMR212HP/15 ED 245	APMR212HP/15LN ED 245
APM212HP/19 D 245	APM212HP/19LN D 245	APM212HP/19 S 245	APM212HP/19LN S 245	APMR212HP/19 ED 245	APMR212HP/19LN ED 245
APM212HP/22 D 245	APM212HP/22LN D 245	APM212HP/22 S 245	APM212HP/22LN S 245	APMR212HP/22 ED 245	APMR212HP/22LN ED 245
APM212HP/26 D 245	APM212HP/26LN D 245	APM212HP/26 S 245	APM212HP/26LN S 245	APMR212HP/26 ED 245	APMR212HP/26LN ED 245

For reversible motors alternative inlet and outlet ports have the same sizes as per inlet unidirectional rotation.



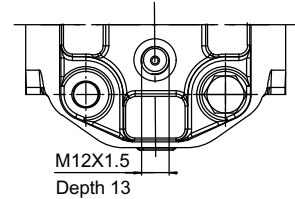
Serie  
**237**



M10x1.5 DIN931



Reversible motor  
ED - External Drain

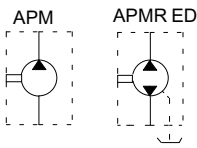


Shaft max torque: see section 3.3  
Tightening torque: see section 3.5 - 3.6

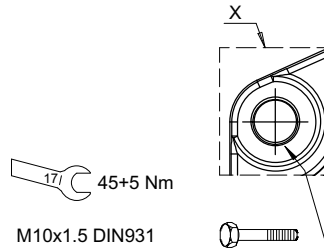
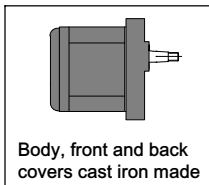
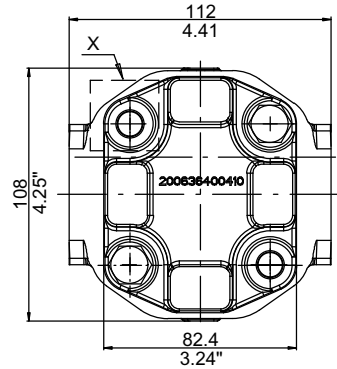
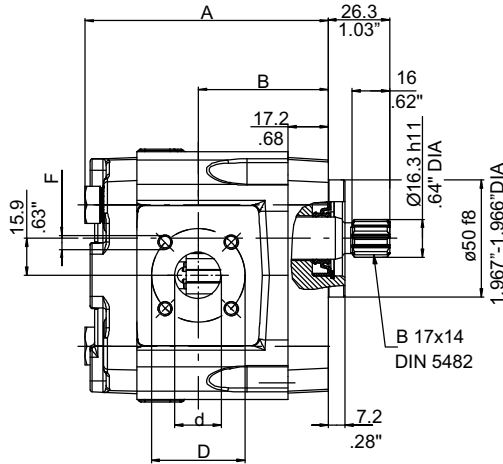
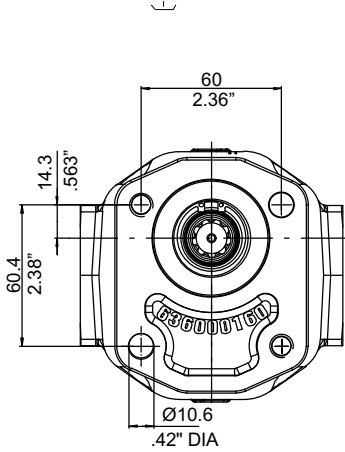
Type	Displacement cm <sup>3</sup> /rev		Dimensions				Outlet					Inlet				
	APM212HP	APM212HPLN	A		B		d		D		F	d		D		F
			mm	inch	mm	inch	mm	inch	mm	inch	mm	mm	inch	mm	inch	mm
15	15.1	15.7	103.8	4.09	55.5	2.19	20	.79	40	1.58	M6X1	15	.59	35	1.38	M6X1
19	19.2	19.8	109.8	4.32	58.5	2.30										
22	22.2	23	114.3	4.5	60.75	2.39										
26	26.2	27.1	120.3	4.74	63.75	2.51										
29	28.9	1.764	Displacements on request: please contact our Sales Department													
33	33	2.014														

Clockwise rotation: D		Counter-clockwise rotation: S		Reversible motor External Drain	
Standard	Low Noise	Standard	Low Noise	Standard	Low Noise
APM212HP/15 D 237	APM212HP/15LN D 237	APM212HP/15 S 237	APM212HP/15LN S 237	APMR212HP/15 ED 237	APMR212HP/15LN ED 237
APM212HP/19 D 237	APM212HP/19LN D 237	APM212HP/19 S 237	APM212HP/19LN S 237	APMR212HP/19 ED 237	APMR212HP/19LN ED 237
APM212HP/22 D 237	APM212HP/22LN D 237	APM212HP/22 S 237	APM212HP/22LN S 237	APMR212HP/22 ED 237	APMR212HP/22LN ED 237
APM212HP/26 D 237	APM212HP/26LN D 237	APM212HP/26 S 237	APM212HP/26LN S 237	APMR212HP/26 ED 237	APMR212HP/26LN ED 237

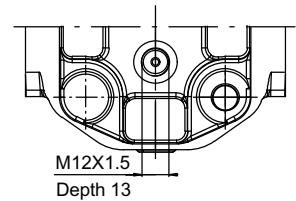
For reversible motors alternative inlet and outlet ports have the same sizes as per inlet unidirectional rotation.



Serie  
247



Reversible motor  
ED - External Drain



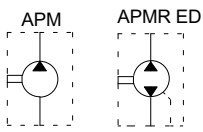
Shaft max torque: see section 3.3

Tightening torque: see section 3.5 - 3.6

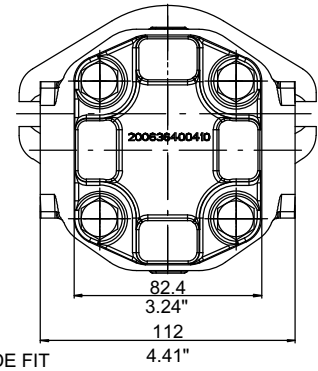
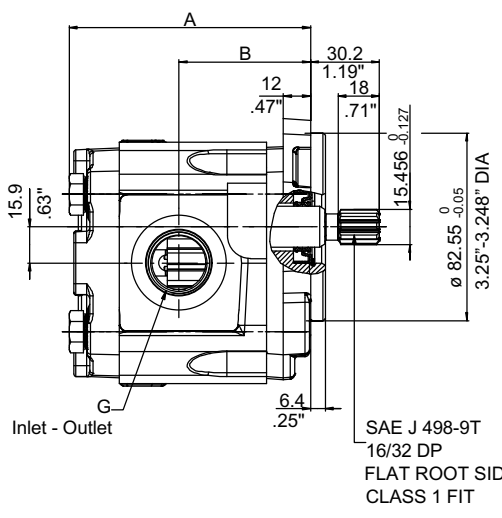
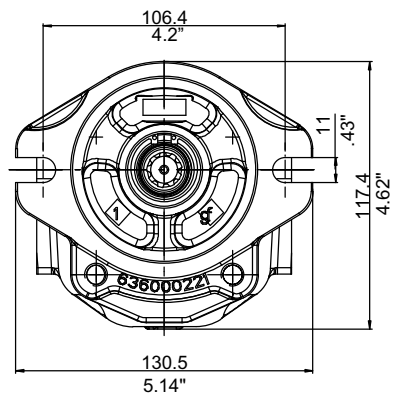
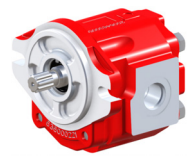
Type	Displacement cm <sup>3</sup> /rev		Dimensions				Outlet			Inlet						
	APM212HP	APM212HPLN	A mm	inch	B mm	inch	d mm	inch	D mm	inch	F mm	d mm	inch	D mm	inch	F mm
15	15.1	15.7	103.8	4.09	55.5	2.19	20	.79	40	1.58	M6X1	15	.59	35	1.38	M6X1
19	19.2	19.8	109.8	4.32	58.5	2.30										
22	22.2	23	114.3	4.5	60.75	2.39										
26	26.2	27.1	120.3	4.74	63.75	2.51										
29	28.9	1.764	Displacements on request: please contact our Sales Department													
33	33	2.014														

Clockwise rotation: D		Counter-clockwise rotation: S		Reversible motor External Drain	
Standard	Low Noise	Standard	Low Noise	Standard	Low Noise
APM212HP/15 D 247	APM212HP/15LN D 247	APM212HP/15 S 247	APM212HP/15LN S 247	APMR212HP/15 ED 247	APMR212HP/15LN ED 247
APM212HP/19 D 247	APM212HP/19LN D 247	APM212HP/19 S 247	APM212HP/19LN S 247	APMR212HP/19 ED 247	APMR212HP/19LN ED 247
APM212HP/22 D 247	APM212HP/22LN D 247	APM212HP/22 S 247	APM212HP/22LN S 247	APMR212HP/22 ED 247	APMR212HP/22LN ED 247
APM212HP/26 D 247	APM212HP/26LN D 247	APM212HP/26 S 247	APM212HP/26LN S 247	APMR212HP/26 ED 247	APMR212HP/26LN ED 247

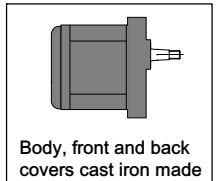
For reversible motors alternative inlet and outlet ports have the same sizes as per inlet unidirectional rotation.



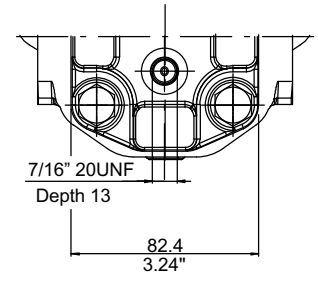
**Serie 887S**



SAE J 498-9T  
16/32 DP  
FLAT ROOT SIDE FIT  
CLASS 1 FIT



Reversible motor  
ED - External Drain



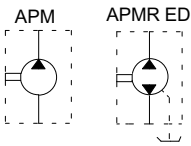
Shaft max torque: see section 3.3  
Tightening torque: see section 3.5 - 3.6

Type	Displacement cm <sup>3</sup> /rev		Dimensions				Outlet G UNF-2B	Inlet G UNF-2B
	APM212HP	APM212HPLN	A		B			
			mm	inch	mm	inch		
15	15.1	15.7	104.5	4.11	56.3	2.21	1-1/16" 12 (SAE12)	7/8" 14 (SAE10)
19	19.2	19.8	110.5	4.35	59.3	2.33		
22	22.2	23	115	4.52	61.55	2.42		
26	26.2	27.1	121	4.76	64.55	2.54		
29	28.9	1.764	Displacements on request: please contact our Sales Department					
33	33	2.014						

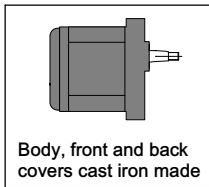
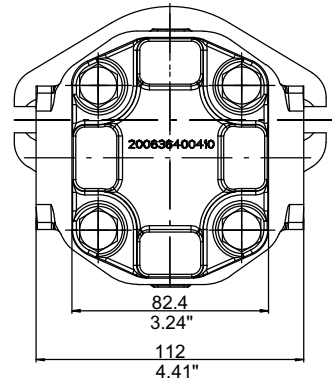
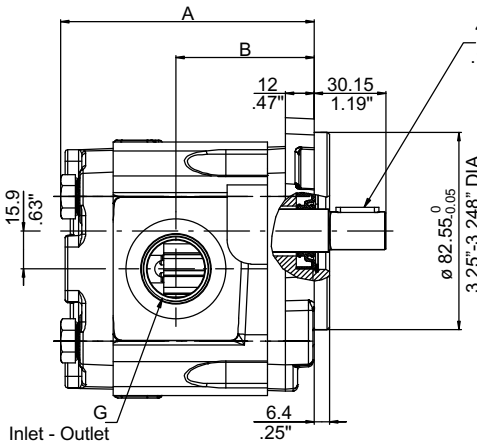
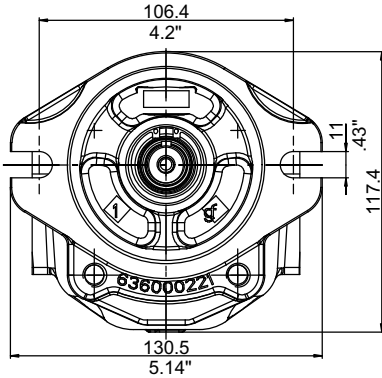
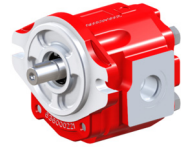
Clockwise rotation: D		Counter-clockwise rotation: S		Reversible motor External Drain	
Standard	Low Noise	Standard	Low Noise	Standard	Low Noise
APM212HP/4.5 D 887S	APM212HP/4.5LN D 887S	APM212HP/4.5 S 887S	APM212HP/4.5LN S 887S	APMR212HP/4.5 ED 887S	APMR212HP/4.5LN ED 887S
APM212HP/19 D 887S	APM212HP/19LN D 887S	APM212HP/19 S 887S	APM212HP/19LN S 887S	APMR212HP/19 ED 887S	APMR212HP/19LN ED 887S
APM212HP/22 D 887S	APM212HP/22LN D 887S	APM212HP/22 S 887S	APM212HP/22LN S 887S	APMR212HP/22 ED 887S	APMR212HP/22LN ED 887S
APM212HP/26 D 887S	APM212HP/26LN D 887S	APM212HP/26 S 887S	APM212HP/26LN S 887S	APMR212HP/26 ED 887S	APMR212HP/26LN ED 887S

For reversible motors alternative inlet and outlet ports have the same sizes as per inlet unidirectional rotation.

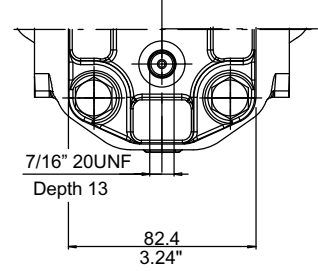
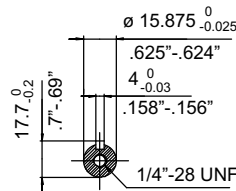




Serie 880



Reversible motor ED - External Drain



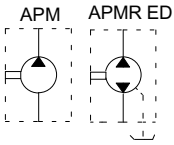
Shaft max torque: see section 3.3

Tightening torque: see section 3.5 - 3.6

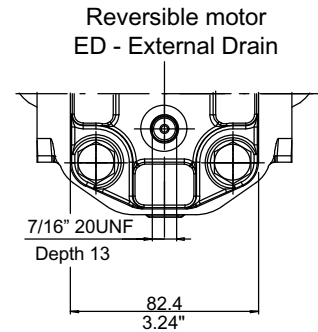
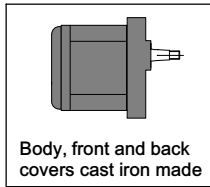
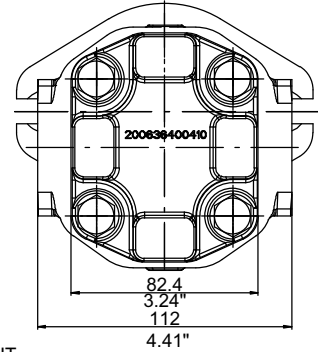
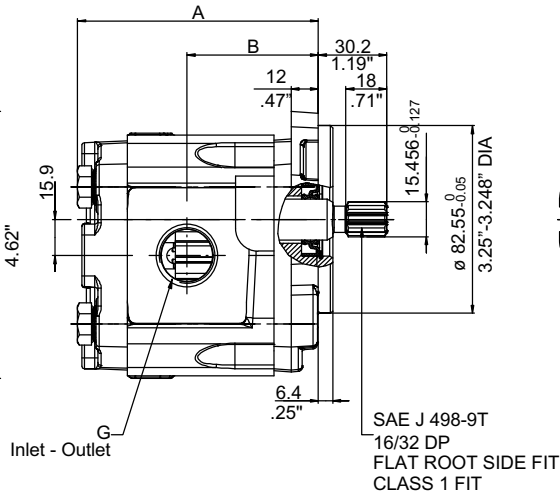
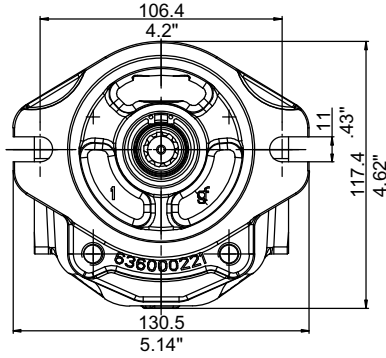
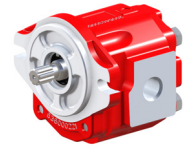
Type	Displacement cm <sup>3</sup> /rev		Dimensions				Outlet	Inlet
	APM212HP	APM212HPLN	A		B		G	G
			mm	inch	mm	inch	UNF-2B	UNF-2B
15	15.1	15.7	104.5	4.11	56.3	2.21	1-1/16" 12 (SAE12)	7/8" 14 (SAE10)
19	19.2	19.8	110.5	4.35	59.3	2.33		
22	22.2	23	115	4.52	61.55	2.42		
26	26.2	27.1	121	4.76	64.55	2.54		
29	28.9	1.764	Displacements on request: please contact our Sales Department					
33	33	2.014						

Clockwise rotation: D		Counter-clockwise rotation: S		Reversible motor External Drain	
Standard	Low Noise	Standard	Low Noise	Standard	Low Noise
APM212HP/15 D 880	APM212HP/15LN D 880	APM212HP/15 S 880	APM212HP/15LN S 880	APMR212HP/15 ED 880	APMR212HP/15LN ED 880
APM212HP/19 D 880	APM212HP/19LN D 880	APM212HP/19 S 880	APM212HP/19LN S 880	APMR212HP/19 ED 880	APMR212HP/19LN ED 880
APM212HP/22 D 880	APM212HP/22LN D 880	APM212HP/22 S 880	APM212HP/22LN S 880	APMR212HP/22 ED 880	APMR212HP/22LN ED 880
APM212HP/26 D 880	APM212HP/26LN D 880	APM212HP/26 S 880	APM212HP/26LN S 880	APMR212HP/26 ED 880	APMR212HP/26LN ED 880

For reversible motors alternative inlet and outlet ports have the same sizes as per inlet unidirectional rotation.



**Serie 887S-NPTF**

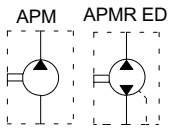


Shaft max torque: see section 3.3  
Tightening torque: see section 3.5 - 3.6

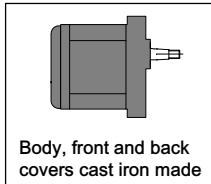
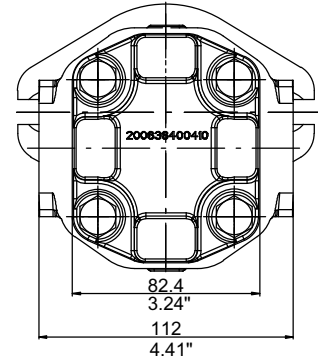
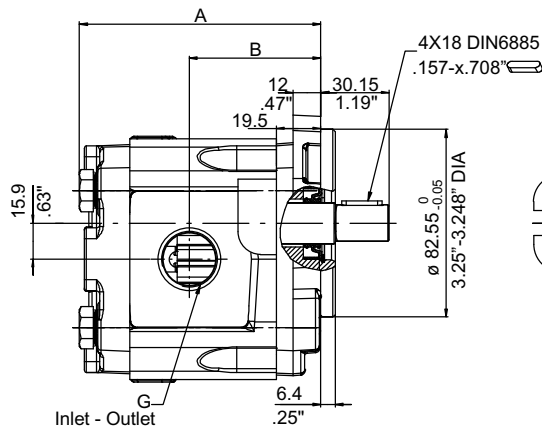
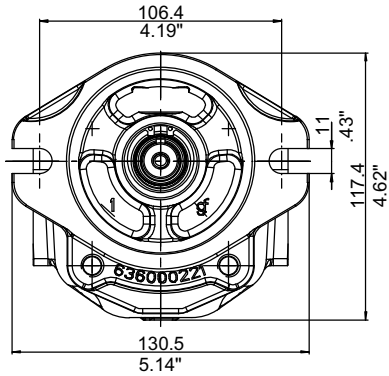
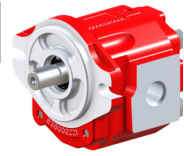
Type	Displacement cm <sup>3</sup> /rev		Dimensions				Outlet G UNF-2B	Inlet G UNF-2B
	APM212HP	APM212HPLN	A		B			
			mm	inch	mm	inch		
15	15.1	15.7	104.5	4.11	56.3	2.21	1-1/16" 12 (SAE12)	7/8" 14 (SAE10)
19	19.2	19.8	110.5	4.35	59.3	2.33		
22	22.2	23	115	4.52	61.55	2.42		
26	26.2	27.1	121	4.76	64.55	2.54		
29	28.9	1.764	Displacements on request: please contact our Sales Department					
33	33	2.014						

Clockwise rotation: D		Counter-clockwise rotation: S		Reversible motor External Drain	
Standard	Low Noise	Standard	Low Noise	Standard	Low Noise
APM212HP/15 D 887S-NPTF	APM212HP/15LN D 887S-NPTF	APM212HP/15 S 887S-NPTF	APM212HP/15LN S 887S-NPTF	APMR212HP/15 ED 887S-NPTF	APMR212HP/15LN ED 887S-NPTF
APM212HP/19 D 887S-NPTF	APM212HP/19LN D 887S-NPTF	APM212HP/19 S 887S-NPTF	APM212HP/19LN S 887S-NPTF	APMR212HP/19 ED 887S-NPTF	APMR212HP/19LN ED 887S-NPTF
APM212HP/22 D 887S-NPTF	APM212HP/22LN D 887S-NPTF	APM212HP/22 S 887S-NPTF	APM212HP/22LN S 887S-NPTF	APMR212HP/22 ED 887S-NPTF	APMR212HP/22LN ED 887S-NPTF
APM212HP/26 D 887S-NPTF	APM212HP/26LN D 887S-NPTF	APM212HP/26 S 887S-NPTF	APM212HP/26LN S 887S-NPTF	APMR212HP/26 ED 887S-NPTF	APMR212HP/26LN ED 887S-NPTF

For reversible motors alternative inlet and outlet ports have the same sizes as per inlet unidirectional rotation.

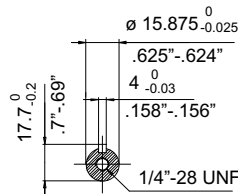


Serie  
**880-NPTF**

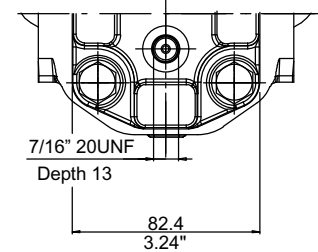


Shaft max torque: see section 3.3

Tightening torque: see section 3.5 - 3.6



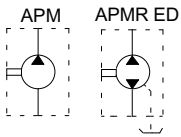
Reversible motor  
ED - External Drain



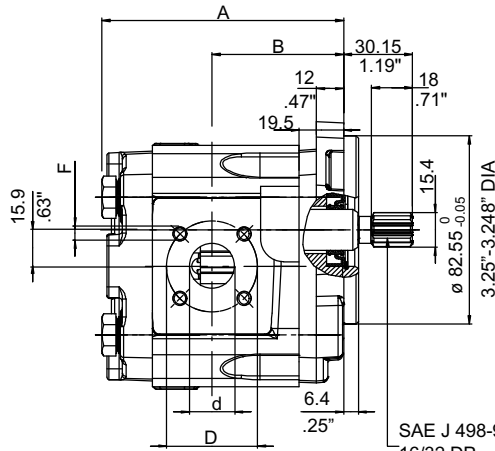
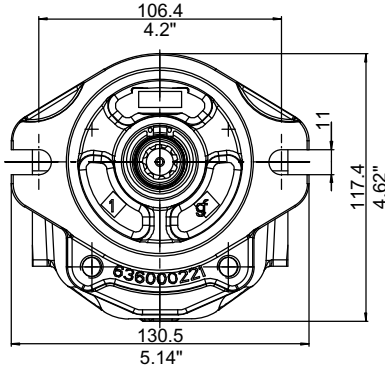
Type	Displacement cm <sup>3</sup> /rev		Dimensions				Outlet G UNF-2B	Inlet G UNF-2B
	APM212HP	APM212HPLN	A		B			
			mm	inch	mm	inch		
15	15.1	15.7	104.5	4.11	56.3	2.21	1-1/16" 12 (SAE12)	7/8" 14 (SAE10)
19	19.2	19.8	110.5	4.35	59.3	2.33		
22	22.2	23	115	4.52	61.55	2.42		
26	26.2	27.1	121	4.76	64.55	2.54		
29	28.9	1.764	Displacements on request: please contact our Sales Department					
33	33	2.014						

Clockwise rotation: D		Counter-clockwise rotation: S		Reversible motor External Drain	
Standard	Low Noise	Standard	Low Noise	Standard	Low Noise
APM212HP/15 D 880-NPTF	APM212HP/15LN D 880-NPTF	APM212HP/15 S 880-NPTF	APM212HP/15LN S 880-NPTF	APMR212HP/15 ED 880-NPTF	APMR212HP/15LN ED 880-NPTF
APM212HP/19 D 880-NPTF	APM212HP/19LN D 880-NPTF	APM212HP/19 S 880-NPTF	APM212HP/19LN S 880-NPTF	APMR212HP/19 ED 880-NPTF	APMR212HP/19LN ED 880-NPTF
APM212HP/22 D 880-NPTF	APM212HP/22LN D 880-NPTF	APM212HP/22 S 880-NPTF	APM212HP/22LN S 880-NPTF	APMR212HP/22 ED 880-NPTF	APMR212HP/22LN ED 880-NPTF
APM212HP/26 D 880-NPTF	APM212HP/26LN D 880-NPTF	APM212HP/26 S 880-NPTF	APM212HP/26LN S 880-NPTF	APMR212HP/26 ED 880-NPTF	APMR212HP/26LN ED 880-NPTF

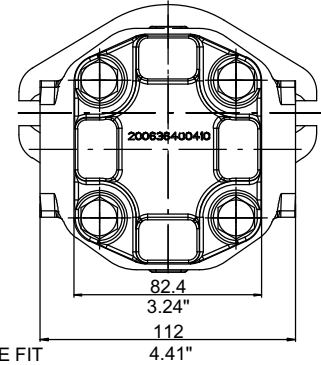
For reversible motors alternative inlet and outlet ports have the same sizes as per inlet unidirectional rotation.



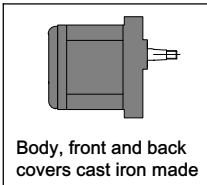
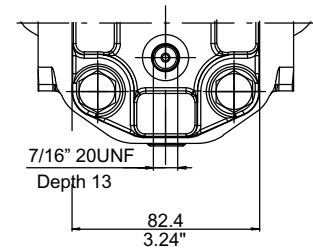
Serie  
**287S-B**



SAE J 498-9T  
16/32 DP  
FLAT ROOT SIDE FIT  
CLASS 1 FIT



Reversible motor  
ED - External Drain

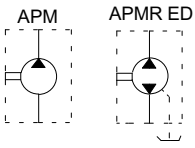


Shaft max torque: see section 3.3  
Tightening torque: see section 3.5 - 3.6

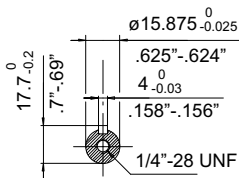
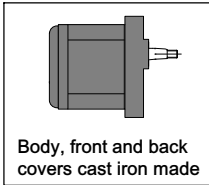
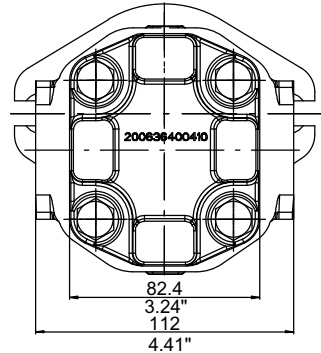
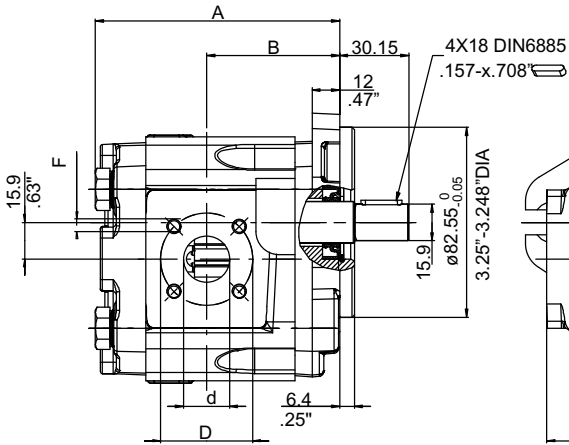
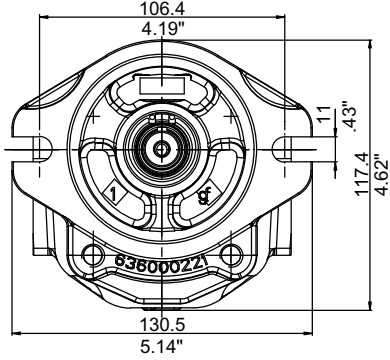
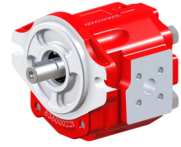
Type	Displacement cm <sup>3</sup> /rev		Dimensions				Outlet			Inlet						
	APM212HP	APM212HPLN	A mm	inch	B mm	inch	d mm	inch	D mm	inch	F mm	d mm	inch	D mm	inch	F mm
15	15.1	15.7	104.5	4.11	55.3	2.18	20	.79	40	1.58	M6 x1	15	.59	35	1.38	M6 x1
19	19.2	19.8	110.5	4.35	59.3	2.33										
22	22.2	23	115	4.52	61.55	2.42										
26	26.2	27.1	121	4.76	64.55	2.54										
29	28.9	1.764	Displacements on request: please contact our Sales Department													
33	33	2.014														

Clockwise rotation: D		Counter-clockwise rotation: S		Reversible motor External Drain	
Standard	Low Noise	Standard	Low Noise	Standard	Low Noise
APM212HP/15 D287S-B	APM212HP/15LN D287S-B	APM212HP/15 S287S-B	APM212HP/15LN S287S-B	APMR212HP/15 ED287S-B	APMR212HP/15LN ED287S-B
APM212HP/19 D287S-B	APM212HP/19LN D287S-B	APM212HP/19 S287S-B	APM212HP/19LN S287S-B	APMR212HP/19 ED287S-B	APMR212HP/19LN ED287S-B
APM212HP/22 D287S-B	APM212HP/22LN D287S-B	APM212HP/22 S287S-B	APM212HP/22LN S287S-B	APMR212HP/22 ED287S-B	APMR212HP/22LN ED287S-B
APM212HP/26 D287S-B	APM212HP/26LN D287S-B	APM212HP/26 S287S-B	APM212HP/26LN S287S-B	APMR212HP/26 ED287S-B	APMR212HP/26LN ED287S-B

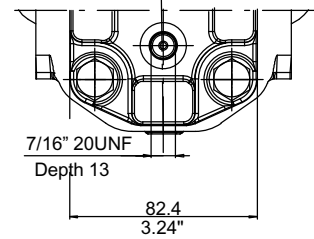
For reversible motors alternative inlet and outlet ports have the same sizes as per inlet unidirectional rotation.



Serie  
**280-B**



Reversible motor  
ED - External Drain

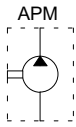


Shaft max torque: see section 3.3  
Tightening torque: see section 3.5 - 3.6

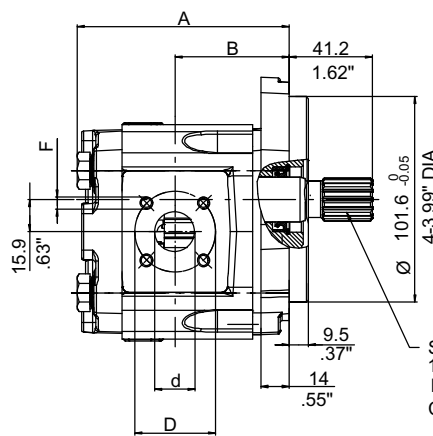
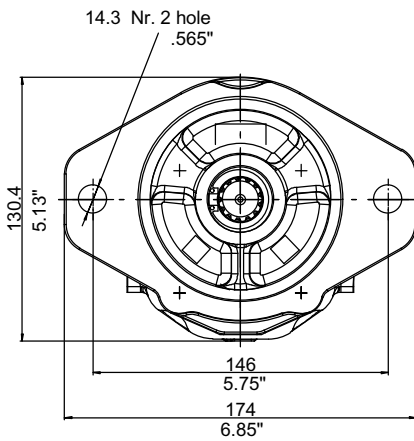
Type	Displacement cm <sup>3</sup> /rev		Dimensions				Outlet					Inlet				
	APM212H PHP	APM212HPLN	A mm	A inch	B mm	B inch	d mm	d inch	D mm	D inch	F mm	d mm	d inch	D mm	D inch	F mm
15	15.1	15.7	106.1	4.18	56.8	2.28	20	.79	40	1.58	M6 x1	15	.59	35	1.38	M6 x1
19	19.2	19.8	112.1	4.41	60.8	2.39										
22	22.2	23	116.6	4.20	63.05	2.48										
26	26.2	27.1	122.6	4.83	66.05	2.60										
29	28.9	1.764	Displacements on request: please contact our Sales Department													
33	33	2.014														

Clockwise rotation: D		Counter-clockwise rotation: S		Reversible motor External Drain	
Standard	Low Noise	Standard	Low Noise	Standard	Low Noise
APM212HP/15 D 280-B	APM212HP/15LN D 280-B	APM212HP/15 S 280-B	APM212HP/15LN S 280-B	APMR212HP/15 ED 280-B	APMR212HP/15LN ED 280-B
APM212HP/19 D 280-B	APM212HP/19LN D 280-B	APM212HP/19 S 280-B	APM212HP/19LN S 280-B	APMR212HP/19 ED 280-B	APMR212HP/19LN ED 280-B
APM212HP/22 D 280-B	APM212HP/22LN D 280-B	APM212HP/22 S 280-B	APM212HP/22LN S 280-B	APMR212HP/22 ED 280-B	APMR212HP/22LN ED 280-B
APM212HP/26 D 280-B	APM212HP/26LN D 280-B	APM212HP/26 S 280-B	APM212HP/26LN S 280-B	APMR212HP/26 ED 280-B	APMR212HP/26LN ED 280-B

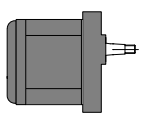
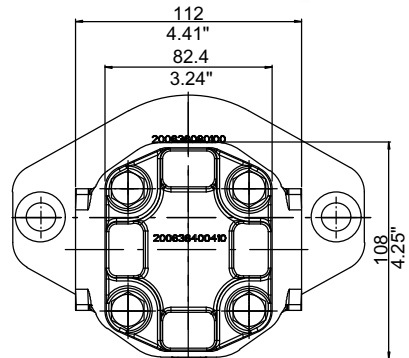
For reversible motors alternative inlet and outlet ports have the same sizes as per inlet unidirectional rotation.



Serie  
**287S-SAEB**



SAE J 498-13T  
16/32 DP  
FLAT ROOT SIDE FIT  
CLASS 1 FIT.



Body, front and back covers cast iron made



Attention! It is not possible to change the rotation direction. Please order always with the right code

Shaft max torque: see section 3.3

Tightening torque: see section 3.5 - 3.6

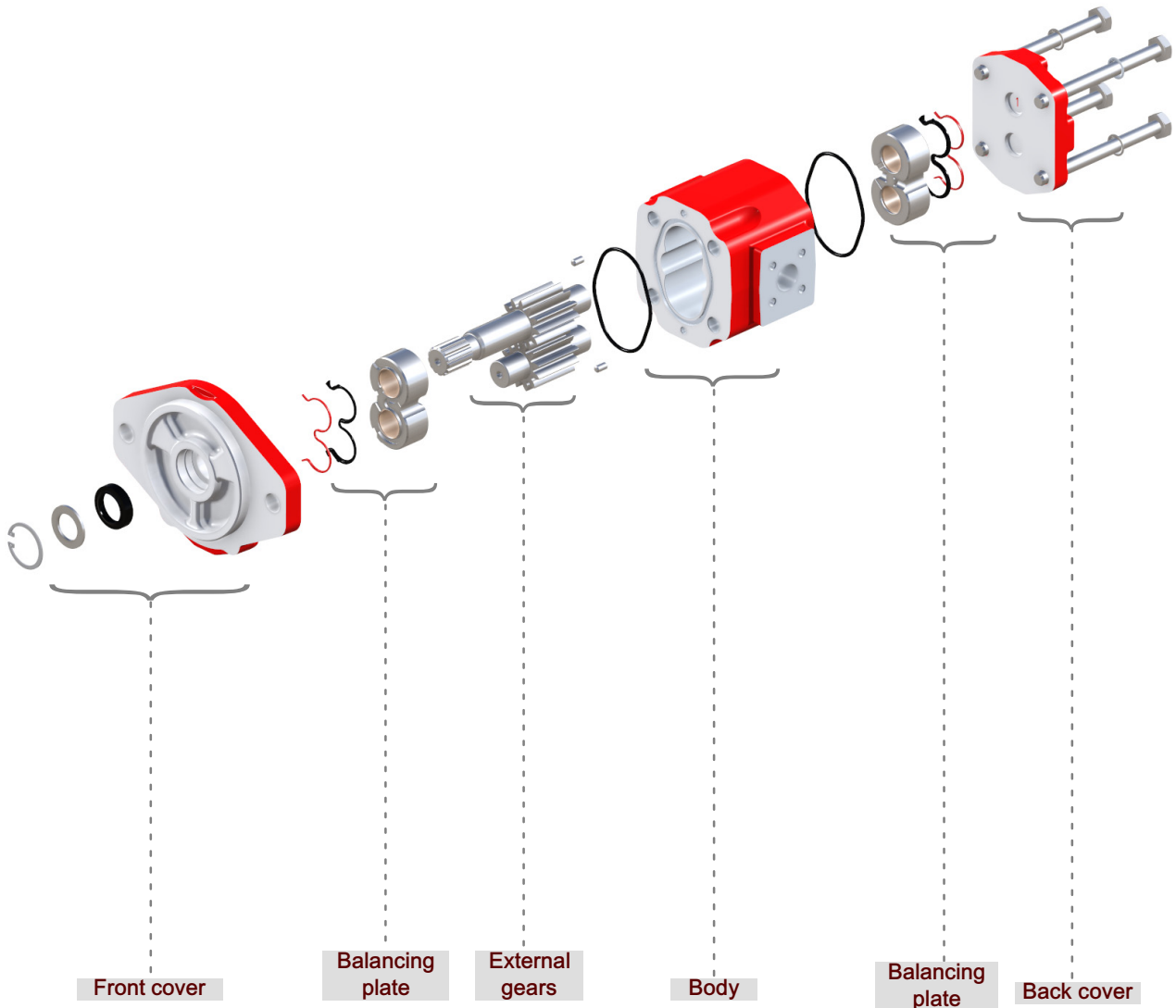
Type	Displacement cm <sup>3</sup> /rev		Dimensions				Outlet					Inlet				
	APM212HP	APM212HPLN	A	B	d	D	F	d	D	F	d	D	F	d	D	F
			mm	inch	mm	inch	mm	inch	mm	inch	mm	inch	mm	inch	mm	inch
15	15.1	15.7	104.8	4.13	56.5	2.22	20	.79	40	1.58	M6 x1	15	.59	35	1.38	M6 x1
19	19.2	19.8	110.8	4.36	59.5	2.34										
22	22.2	23	115.3	4.54	61.75	2.43										
26	26.2	27.1	121.3	4.78	64.75	2.55										
29	28.9	29.9	125.3	4.93	66.75	2.63	24	.94	55	2.16	M8x 1.25	15	.59	35	1.38	M6 x1
33	33	34.1	131.3	5.17	69.75	2.75										

Clockwise rotation: D				Counter-clockwise rotation: S			
Standard		Low Noise		Standard		Low Noise	
APM212HP/15 D 287S-SAEB	APM212HP/15LN D 287S-SAEB	APM212HP/15 S 287S-SAEB	APM212HP/15LN S 287S-SAEB	APM212HP/19 D 287S-SAEB	APM212HP/19LN D 287S-SAEB	APM212HP/19 S 287S-SAEB	APM212HP/19LN S 287S-SAEB
APM212HP/22 D 287S-SAEB	APM212HP/22LN D 287S-SAEB	APM212HP/22 S 287S-SAEB	APM212HP/22LN S 287S-SAEB	APM212HP/26 D 287S-SAEB	APM212HP/26LN D 287S-SAEB	APM212HP/26 S 287S-SAEB	APM212HP/26LN S 287S-SAEB

For reversible motors alternative inlet and outlet ports have the same sizes as per inlet unidirectional rotation.

### 3 APM212HP Single motor customised versions

---






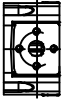
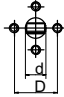
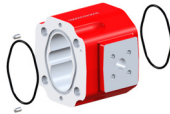

---

In this section, a single APM212HP motor can be configured and customized.

APM212HP wide availability of covers, bodies, gears and seals sets provides great flexibility to APM212HP motor range and allows several different motor configurations.

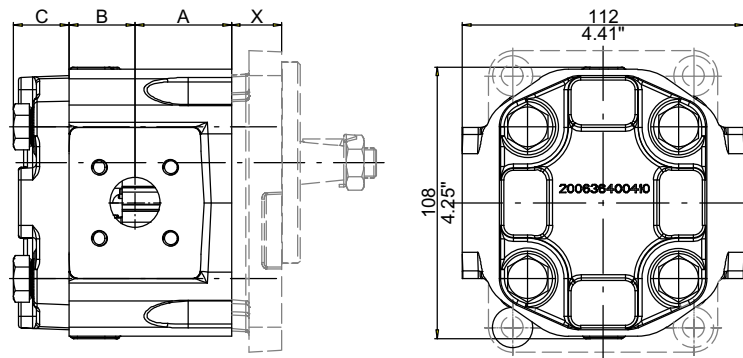
In order to simplify the selection of the desired motor combination, a 'configurator form' is available and, by filling it out, it will guide you in the motor creation process.

### 3.1 Single motor customised versions order example

A	P	M	2	1	2	H	P	/	1	5	L	N	-	S	-	A	0	S	-	8	A	N	-	G	H	1	-	A
<b>Function</b> APM= single gear motor - unidirectional APMR = single gear motor - reversible		<b>Series</b> 212HP		<b>Displacement</b> 15= 15.1 cm <sup>3</sup> /rev 19= 19.2 cm <sup>3</sup> /rev 22= 22.2 cm <sup>3</sup> /rev 26= 26.2 cm <sup>3</sup> /rev 29= 28.9 cm <sup>3</sup> /rev 33= 33 cm <sup>3</sup> /rev		<b>Version</b> Omitted if 12 teeth standard LN= 12 teeth Low Noise version		<b>Rotation</b> S = left-hand rotation D = Right-hand rotation Omitted if reversible version		<b>Shaft end code</b> see section 3.3		<b>Shaft seal material type code</b> see section 3.4.1		<b>Front cover series/material with/without bearing code</b> see section 3.4.2 and 3.4.3		<b>Type of ports code</b> see section 3.5		<b>Inlet/outlet port size code combination</b> see section 3.5		<b>Body material + seal material code</b> see section 3.5.1		<b>Back cover type</b> see section 3.6		<b>BHRE section :</b> Version - Progressive number (omitted)				
																												





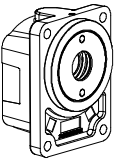

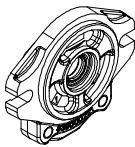
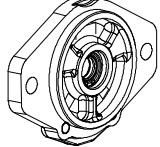
### 3.2 Single motor dimensions



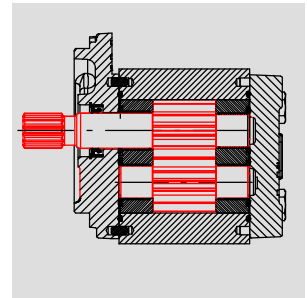
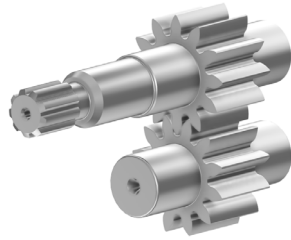
motor size	A		B		C*	
	mm	inches	mm	inches	mm	inches
APM212HP/15	38.3	1.51	26.3	1.04	22 (28 with tie rod + nut for tandem)	0.87" (1.10" with tie rod + nut for tandem)
APM212HP/19	41.3	1.63	29.3	1.15		
APM212HP/22	43.55	1.71	31.55	1.24		
APM212HP/26	46.55	1.83	34.55	1.36		
APM212HP/29	48.55	1.91	36.55	1.44		
APM212HP/33	51.55	2.03	39.55	1.56		

C\*: dimensions with standard cast iron back cover and screws.  
For other back covers dimension see section 3.6

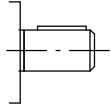
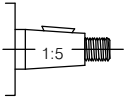
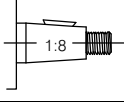
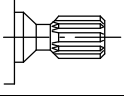
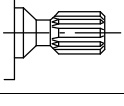
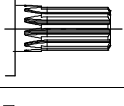
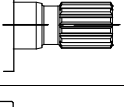

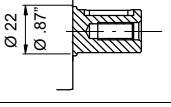
#### 3.2.1 Cast iron front cover dimensions

Front cover type	x		Front cover type	x	
	mm	inches		mm	inches
German rectangular 	20	0.79	European rectangular 	19	0.75
Bearing support German version 	48.5	1.91	Through 2 bolts 	17.2	0.68
SAE-A 2 bolts 	19.5	0.77	SAE-B 2 bolts 	18.2	0.72

## 3.3 Shaft end code

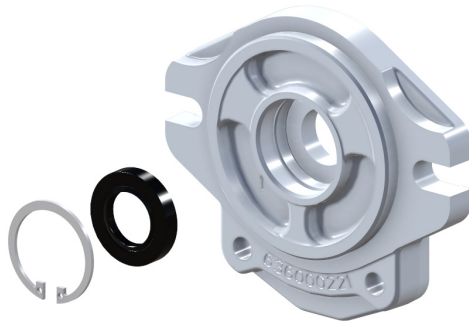


A P M 2 1 2 H P / 1 5 - S - A 0 S - 8 A N - V E 1 6 - A

Shaft end shape	Shaft end ordering code	Max torque	
	Straight keyed Ø 15,85 mm - 0.62 inches	S	T max = 65 Nm
	Tapered shaft 1:5	G	T max = 135 Nm
	Tapered shaft 1:8	E	T max = 135 Nm
	9 Teeth external spline B17X14 DIN5482	D	T max = 110 Nm
	9 teeth external spline SAE J 498-9T 16/32 DP	A	T max = 90 Nm
	11 teeth external spline SAE J 498-11T 16/32 DP	T	T max = 140 Nm
	13 teeth external spline SAE J 498-13T 16/32 DP	B	T max = 270 Nm
	Bearing application 1:5	See section 3.4.3	T max = 100 Nm
	Bearing application Straight 22 mm - 0.87 inches	See section 3.4.3	T max = 100 Nm

### 3.4 Front cover

#### 3.4.1 Shaft seal material

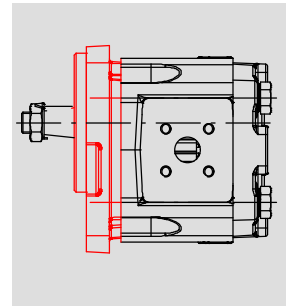
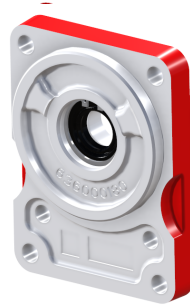


A P M 2 1 2 H P / 1 5 - S - A 0 S - 8 A N - V E 1 6 - A



Shaft seal Type/material	Ordering code
Shaft seal motor NBR	5
Shaft seal motor HNBR (standard)	6
FPM (VITON)	7
High back pressure shaft seal ( reduced life see note 1.9 )	8

## 3.4.2 Cast iron front cover type



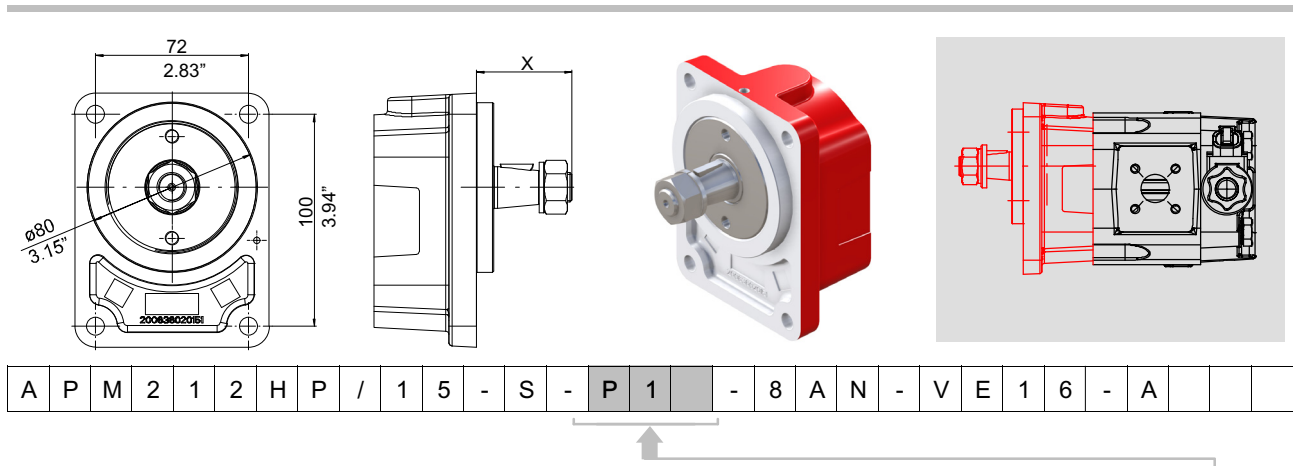
A P M 2 1 2 H P / 1 5 - S - A 0 S - 8 A N - V E 1 6 - A

Type	Cast iron		Cast iron + bearing		Cooling system	
	Shape	Ordering code	Shape	Ordering code	Cast iron + dust protection	
Type	Shape	Ordering code	Shape	Ordering code	Shape	Ordering code
German rectangular (Ø 80 mm - 3.15 inches)		B		see section 3.4.3		F
European rectangular (Ø 36.5 mm - 1.44")		E		*		
Through 2 bolts (Ø 50 mm - 1.97")		H		*		I
Through 2 bolts (Ø 50 mm - 1.97")		M		*		N
SAE-A 2 bolts (Ø 82.55 mm - 3.25 inches)		S		*		Q
SAE-B 2 bolts (Ø 101,6 mm - 4 inches)		V				*

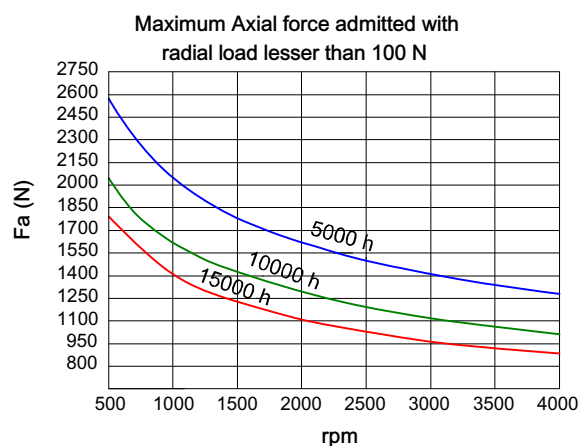
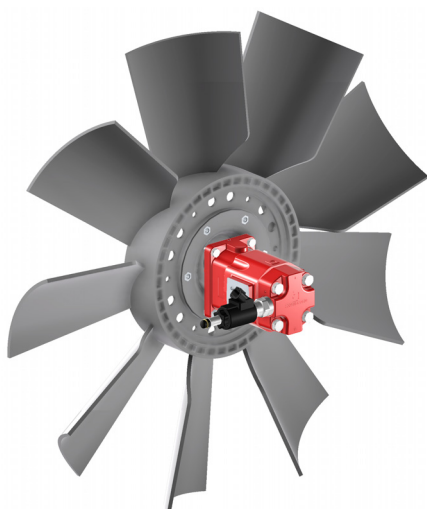
Cast iron front cover dimensions: see standard motors data sheet

\* Please contact our Sales Department

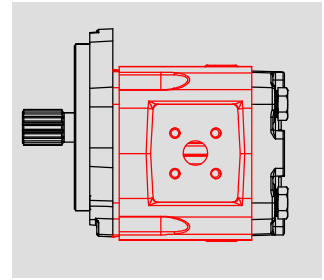
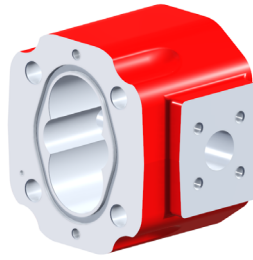
## 3.4.3 Front bearing application



	+		+	Shaft seal material: HNBR (Standard)	=	<b>P1</b> T max = 100 Nm
	+	X = 45 mm (1.77 inches)	+	High pressure seal (Reduced life component: see note on section 1.9)	=	<b>P2</b> T max = 80 Nm
	+		+	Shaft seal material: HNBR (Standard)	=	<b>C1</b> T max = 100 Nm
	+	Straight 22 mm - 0.87 inches X = 48.5 mm (1.91 inches)	+	High pressure seal (Reduced life component: see note on section 1.9)	=	<b>C2</b> T max = 80 Nm

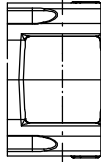


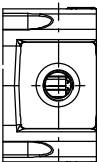
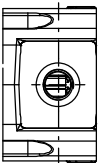
## 3.5 Cast iron body

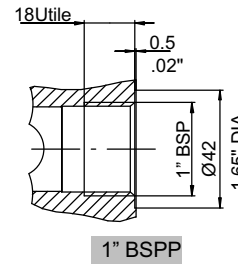
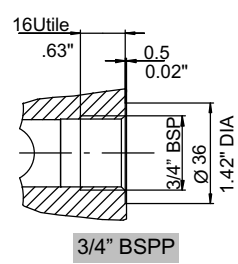
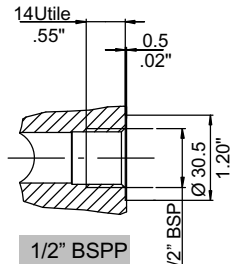
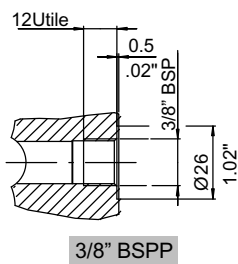


For reversible motors inlet and outlet ports have the same sizes as per inlet unidirectional rotation.

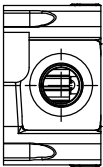
A	P	M	2	1	2	H	P	/	1	5	-	S	-	A	0	S	-	8	A	N	-	V	E	1	6	-	A		
---	---	---	---	---	---	---	---	---	---	---	---	---	---	---	---	---	---	---	---	---	---	---	---	---	---	---	---	--	--

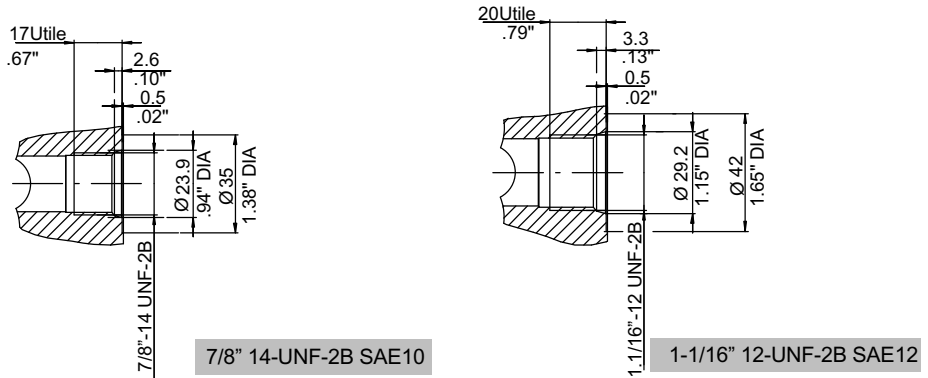
Port type	Ordering code	Displacement	Dimension (mm - inch)		Ordering code
			Outlet	Inlet	
	without	0	All		0
			19-22-26 29-33		D

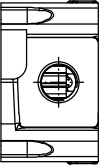
Port type	Ordering code	Displacement	Dimension (mm - inch)		Ordering code
			Outlet	Inlet	
	1	15	On demand		B
		19-22-26			C
		29-33			D
	4	15	1/2"	3/8"	B
		19-22-26	3/4"	1/2"	C
		29-33	1"	1/2"	D

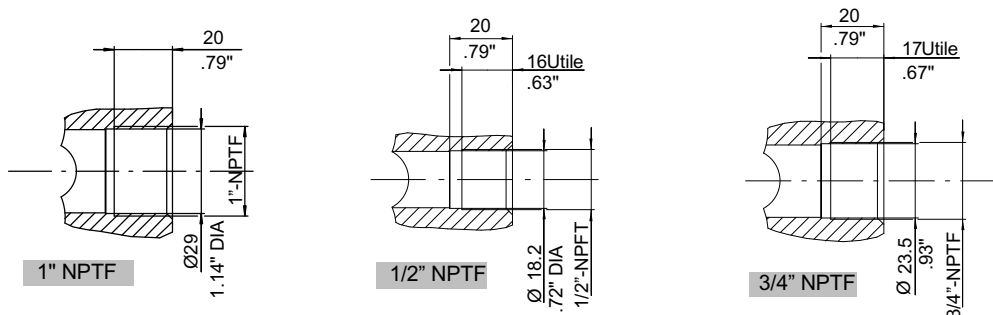


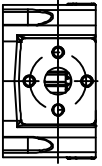
Recommended tightening torque for work port fittings - Nm / lbf				
BSP - ISO 228-1	3/8" BSP	1/2" BSP	3/4" BSP	1" BSP
With copper washer (ISO 1179-1)	40 / 29.5 (±10%)	60 / 44.3 (±10%)	90 / 66.4 (±10%)	100 / 73.8 (±10%)
With rubber washer or steel (ISO 1179-1)	35 / 25.8 (±10%)	60 / 44.3 (±10%)	70 / 51.7 (±10%)	90 / 66.4 (±10%)

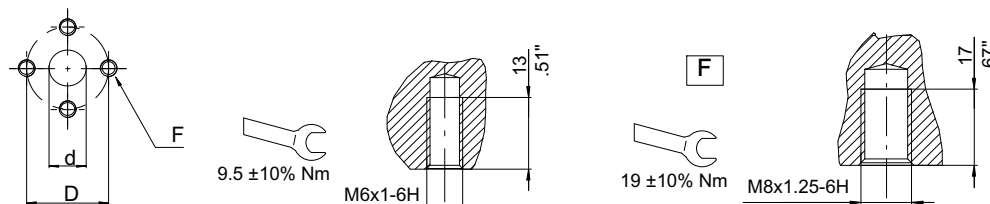
Port type	Ordering code	Displacement	Dimension (mm - inch)		Ordering code	
			Outlet	Inlet		
	SAE threaded ports	8	all	1-1/16" 12 UNF-2B (SAE12)	7/8" 14 UNF-2B (SAE10)	A



	NPTF threaded ports	6	15-19-22-26	3/4"	1/2"	B
			29-33	1"	1/2"	E

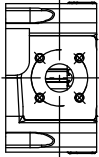


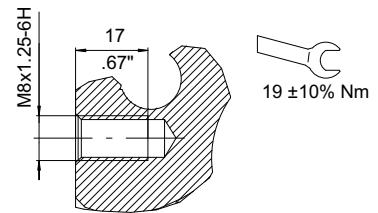
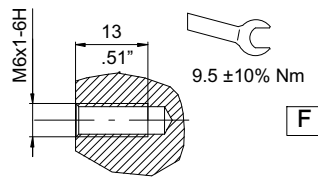
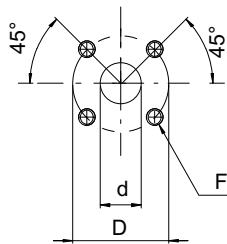
	European 4 bolt	3	15	19 - .75 (d) 40 - 1.58 (D) M8 (F)	13.5 - .53 (d) 30 - 1.18 (D) M6 (F)	B
			19-22-26-29-33	19 - .75 (d) 40 - 1.58 (D) M8 (F)	19 - .75 (d) 40 - 1.58 (D) M8 (F)	C



### Recommended tightening torque for work port fittings - Nm / lbf

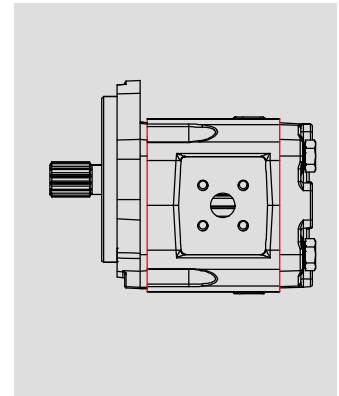
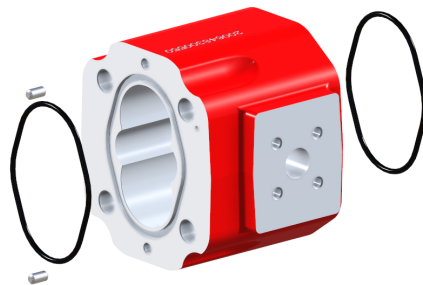
UN-UNF - ISO 263	SAE10 - 7/8-14UNF	SAE12 - 1-1/16-12UNF
With O-Ring seal (ISO 11926-1)	60 / 44.3 (±10%)	90 / 66.4 (±10%)

Type	Ordering code	Displacement	Dimension (mm - inch)		Ordering code
			Outlet	Inlet	
 German 4 bolt flanged	2	15-19-22-26	20 - .79 (d) 40 - 1.58 (D) M6 (F)	15 - .59 (d) 35 - 1.38 (D) M6 (F) <u>287-S SAEB: M5 (F)?</u>	B
		29-33 (287-S SAEB)	24 - .95 (d) 55 - 2.17 (D) M8 (F) (287-S SAEB)		



Other ports	9	If the requested port type is not included in the previous versions, please indicate number "9" and specify the details in the request note
-------------	---	---

### 3.5.1 Body and seal materials

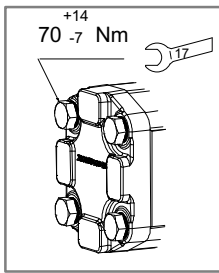


A	P	2	1	2	H	P	/	1	5	-	S	-	A	0	S	-	8	A	N	-	V	E	1	6	-	A		
---	---	---	---	---	---	---	---	---	---	---	---	---	---	---	---	---	---	---	---	---	---	---	---	---	---	---	--	--

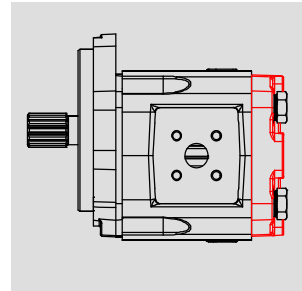
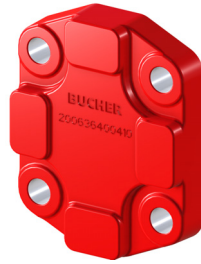
Body material	Seal material	Ordering code
Cast iron	NBR (standard)	N
Cast iron	HNBR	H



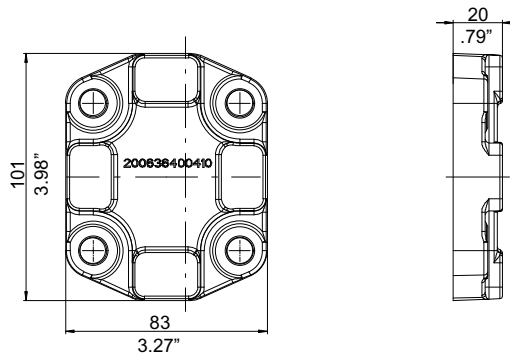
### 3.6 Back covers



Dedicated 212HP torque value, higher than 212 standard aluminium version



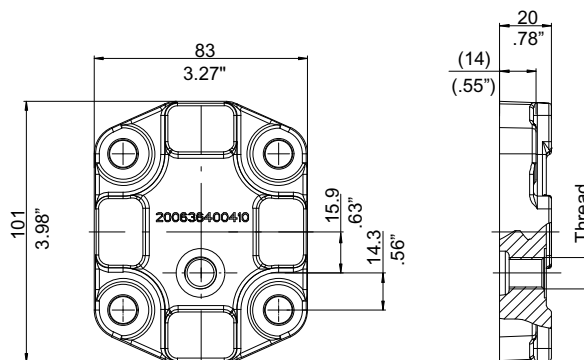
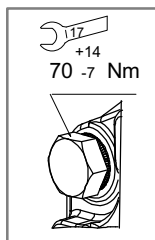
#### 3.6.1 Cast iron back cover - Standard version for unidirectional motor



A P 2 1 2 H P / 1 5 - S - A 0 S - 8 A N - G H - - - A

Type	Ordering code
Back cover, standard version, cast iron material	GH

#### 3.6.2 Cast iron back cover with drain port - Standard version for bidirectional motor

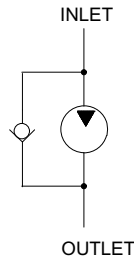


A P R 2 1 2 H P / 1 5 - A 0 S - 8 A N - G 1 - - A

Type	Thread	Tightening torque	Ordering code
Back cover with external drain line, cast iron material for reversible motor	1/4" BSP	30 <sup>-6</sup> <sub>+7</sub> Nm	G1 (Standard)
	SAE4	20 <sup>-5</sup> <sub>+5</sub> Nm	G2
	M12x1.5	30 <sup>-6</sup> <sub>+7</sub> Nm	G3

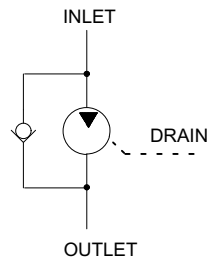
## 3.7 Valves and circuits

### 3.7.1 Anticavitation valves DN 3,5 mm integrated inside unidirectional motor



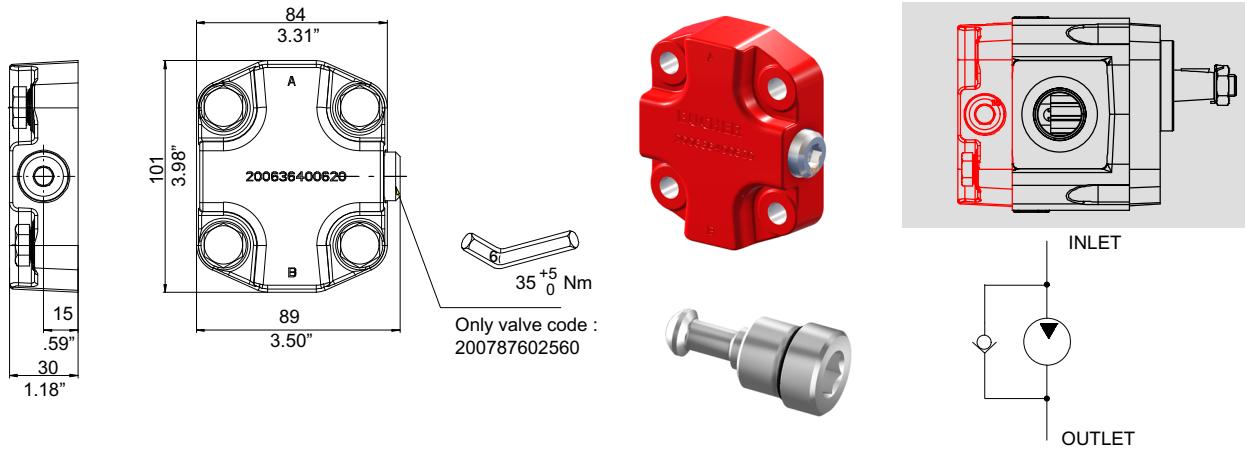
A	P	M	2	1	2	H	P	/	8	,	5	-	D	-	A	6	S	-	1	C	H	-	G	H	+	C		
---	---	---	---	---	---	---	---	---	---	---	---	---	---	---	---	---	---	---	---	---	---	---	---	---	---	---	--	--

### 3.7.2 Anticavitation valves DN 3,5 mm integrated inside bidirectional motor used in only one direction



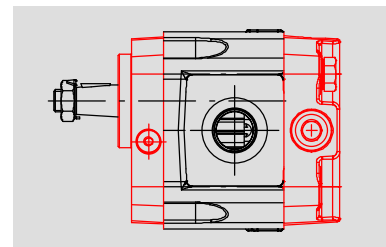
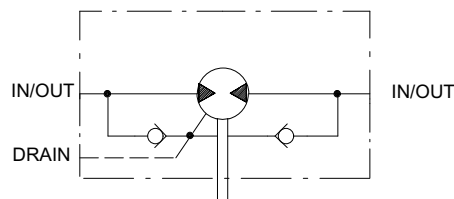
A	P	M	R	2	1	2	H	P	/	8	,	5	-	D	-	A	6	S	-	1	C	H	-	G	1	+	C		
---	---	---	---	---	---	---	---	---	---	---	---	---	---	---	---	---	---	---	---	---	---	---	---	---	---	---	---	--	--

### 3.7.3 Anticavitation valve assembled inside cast iron back cover



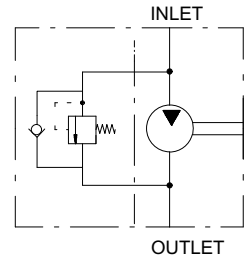
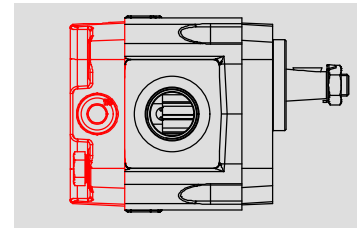
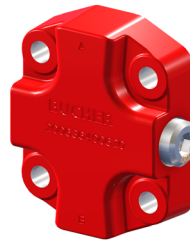
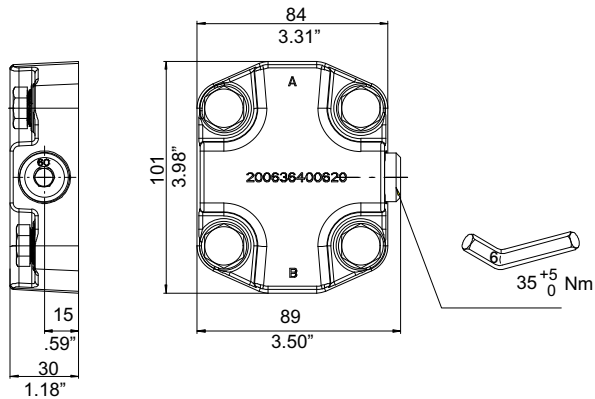
A	P	M	2	1	2	H	P	/	8	,	5	-	D	-	A	6	S	-	1	C	H	-	+	C	A	V		
---	---	---	---	---	---	---	---	---	---	---	---	---	---	---	---	---	---	---	---	---	---	---	---	---	---	---	--	--

### 3.7.4 Double anticavitation valves assembled directly inside front cover (cast iron only)



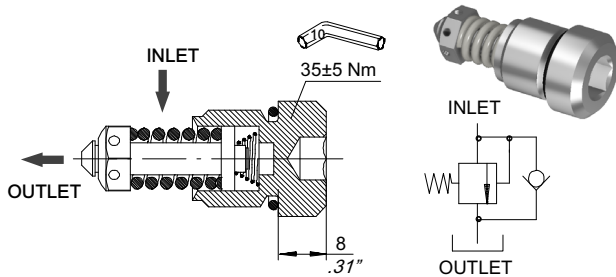
A	P	M	R	2	1	2	H	P	/	8	,	5	-		-	A	6	S	-	1	C	H	-	G	1	+	C	F	
---	---	---	---	---	---	---	---	---	---	---	---	---	---	--	---	---	---	---	---	---	---	---	---	---	---	---	---	---	--

## 3.7.5 Cast iron back cover with integrated valve: antishock-anticavitation valve, fixed setting

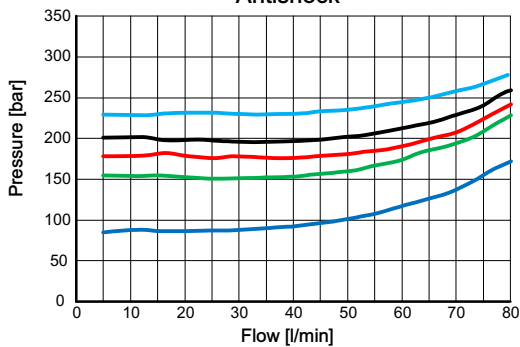


A P M 2 1 2 H P / 8 , 5 - D - A 6 S - 1 C H - U C 1 6

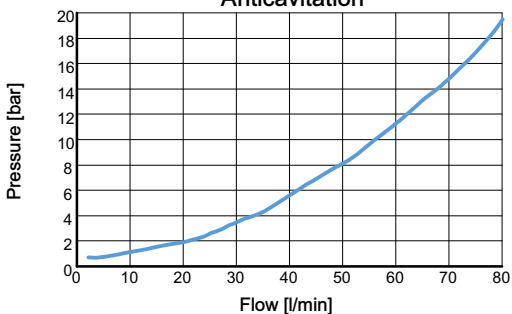
### Anti-shock and anti-cavitation valves UC



Antishock

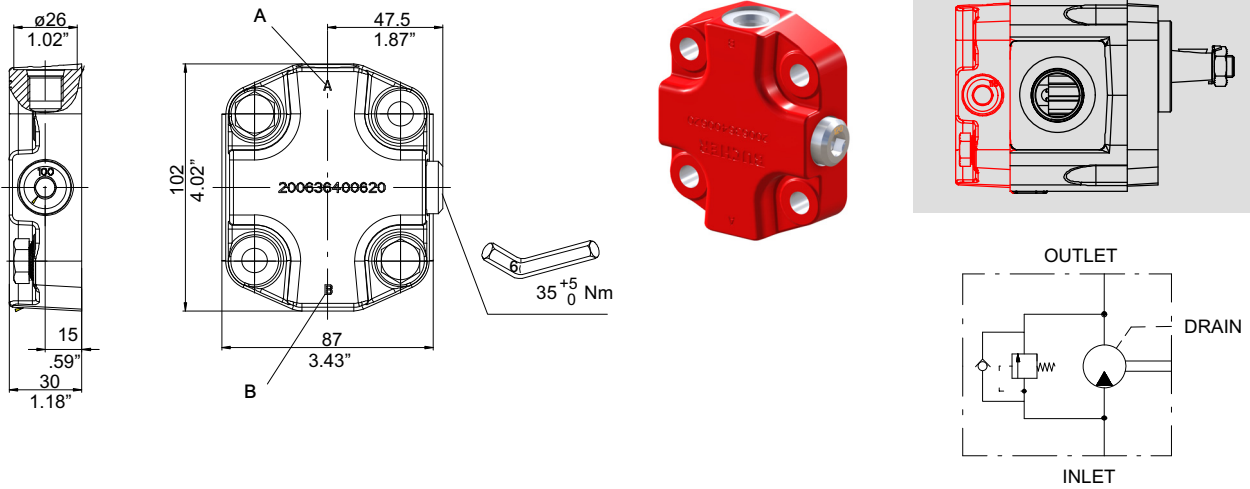


Anticavitation



Pressure setting at 10 l/min (*) bar (PSI)	Code
40 (580)	200533930068
60 (870)	200533930077
70 (1010)	200533930050
80 (1160)	200533930050
90 (1300)	200533930084
100 (1450)	200533930100
110 (1590)	200533930110
120 (1740)	200533930085
130 (1880)	200533930057
140 (2030)	200533930059
150 (2170)	200533930051
160 (2320)	200533930067
170 (2460)	200533930071
180 (2610)	200533930056
190 (2750)	200533930113
200 (2900)	200533930060
210 (3040)	200533930080
220 (3190)	200533930064
230 (3330)	200533930058
240 (3480)	200533930081
250 (3620)	200533930052
VC (plug)	200778400310

## 3.7.6 Back cover in cast iron with drain port and integrated valve: antishock-anticavitation valve, fixed setting



Valve characteristics see section 3.7.5

A	P	M	R	2	1	2	H	P	/	8	,	5	-	D	-	A	6	S	-	1	C	H	-	U	C	1	6	-	G	4
---	---	---	---	---	---	---	---	---	---	---	---	---	---	---	---	---	---	---	---	---	---	---	---	---	---	---	---	---	---	---

**UC16** = Antishock-anticavitation valve ordering code  
(see section 3.7.5)

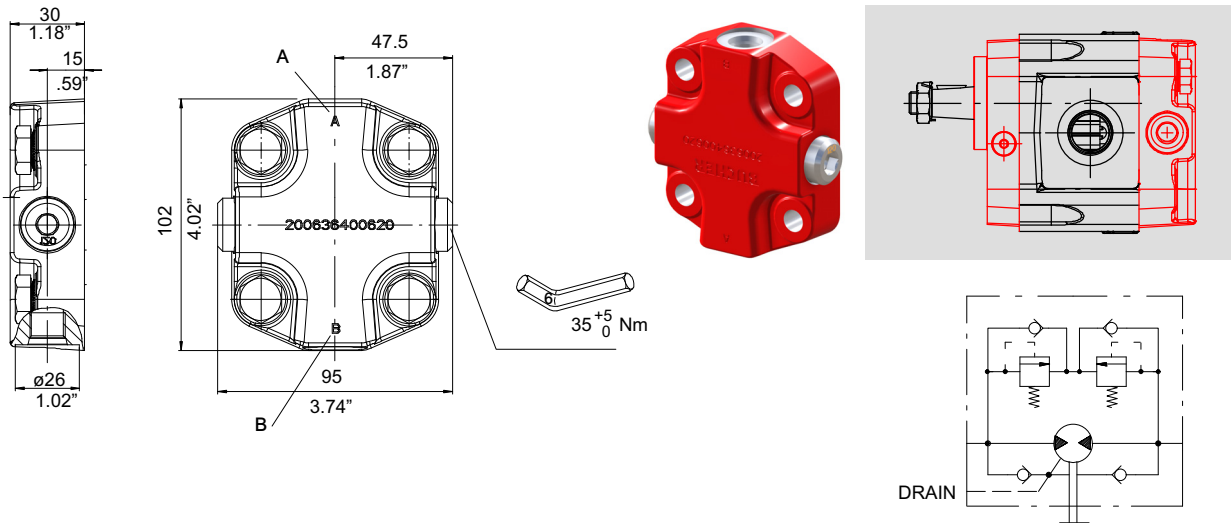
**G** Cast iron back cover

**4** = Drain line port type

Drain line port:

Thread	Tightening torque	Ordering code
1/4" BSP	$30_{+7}^{-6}$ Nm	1 (on request)
M12x1.5	$30_{+7}^{-6}$ Nm	3 (on request)
SAE6	$20_{+5}^0$ Nm	4 (standard)

## 3.7.7 Back cover in cast iron with drain port with integrated valve: Double antishock-anticavitation valves, fixed setting



A P M R 2 1 2 H P / 8 , 5 - A 6 S - 1 C H - U C 1 6 - G 4 A + C F

**UC16** = Antishock-anticavitation valve ordering code  
(see section 3.7.5)

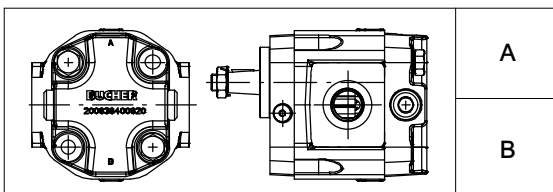
**G** Cast iron back cover

**4** = Drain line port type

Drain line port:

Thread	Tightening torque	Ordering code
1/4" BSP	30 <sup>-6</sup> / <sub>+7</sub> Nm	1 (on request)
M12x1.5	30 <sup>-6</sup> / <sub>+7</sub> Nm	3 (on request)
SAE6	20 <sup>0</sup> / <sub>+5</sub> Nm	4 (standard)

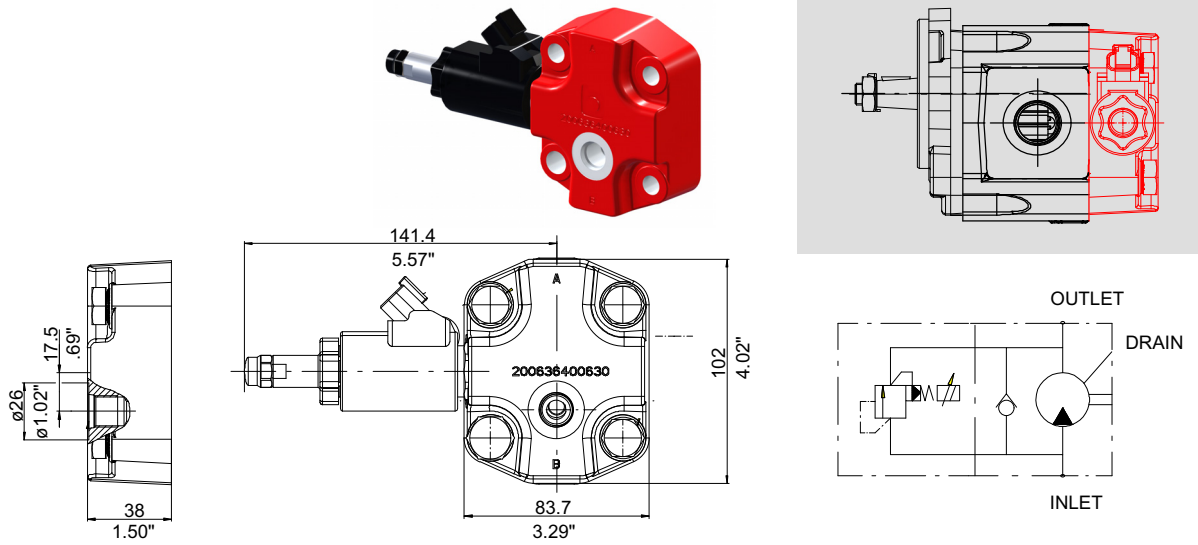
**A** = Drain line port position



Anticavitation valve integrated inside the front cover is requested, please specify +CF

**IMPORTANT!** This circuit must be combined with front cover in cast iron, anticavitation valves included (see section 3.7.4)

## 3.7.8 Cast iron back cover with integrated valves: proportional relief valve ( $Q_{max} = 60 \text{ l/min}$ )



A	P	M	R	2	1	2	H	P	/	8	,	5	-	D	-	A	6	S	-	1	C	H	-	L	2	3	A	4	+	C
---	---	---	---	---	---	---	---	---	---	---	---	---	---	---	---	---	---	---	---	---	---	---	---	---	---	---	---	---	---	---

**L** = Type of cast iron back cover/valve combination

Back cover with "AL" cavity and proportional pressure-relief cartridge valve type  $Q_{max} = 60 \text{ l/min}$

Inverse proportional pressure-relief cartridge, size 5, DBVSA-1LG (NBR seals)

**23** = Pressure settings

Pressure range :  
 10 = 100 bar  
 16 = 160 bar  
 23 = 230 bar

For further settings value available please consult Bucher Hydraulics



**ATTENTION!**

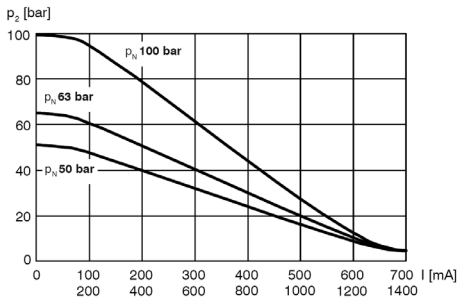
To prevent any pressure surges, outlet port must be routed to tank with the least possible back-pressure. Any tank pressure acting at outlet port is additive to the pressure setting at the main inlet port.



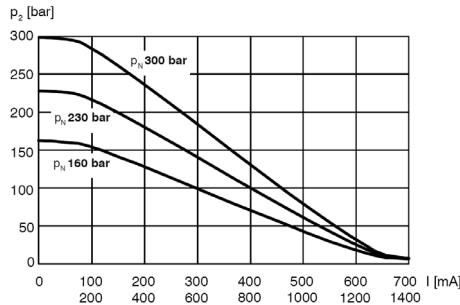
**IMPORTANT!**

Further note and characteristics available in the dedicated catalogue 400-P-586101-E

$p = f(I)$  Pressure adjustment characteristic ( $Q = 5 \text{ l/min}$ )



$p = f(I)$  Pressure adjustment characteristic ( $Q = 5 \text{ l/min}$ )



**A** = Solenoid connection type and nominal voltage

Connection type:    DT                                    AJ  
                                  A = 12 V DC                                    C = 12 V DC  
                                  B = 24 V DC                                    D = 24 V DC



**IMPORTANT!**

To achieve the proportional pressure-relief cartridge's maximum performance rating, fit the solenoid coil with the plug pins at the top. When fitting the cartridges, note the mounting attitude (preferably vertical, with coil down automatic air bleed) and use the specified tightening torque. No adjustments are necessary, since the cartridges are set in the factory.

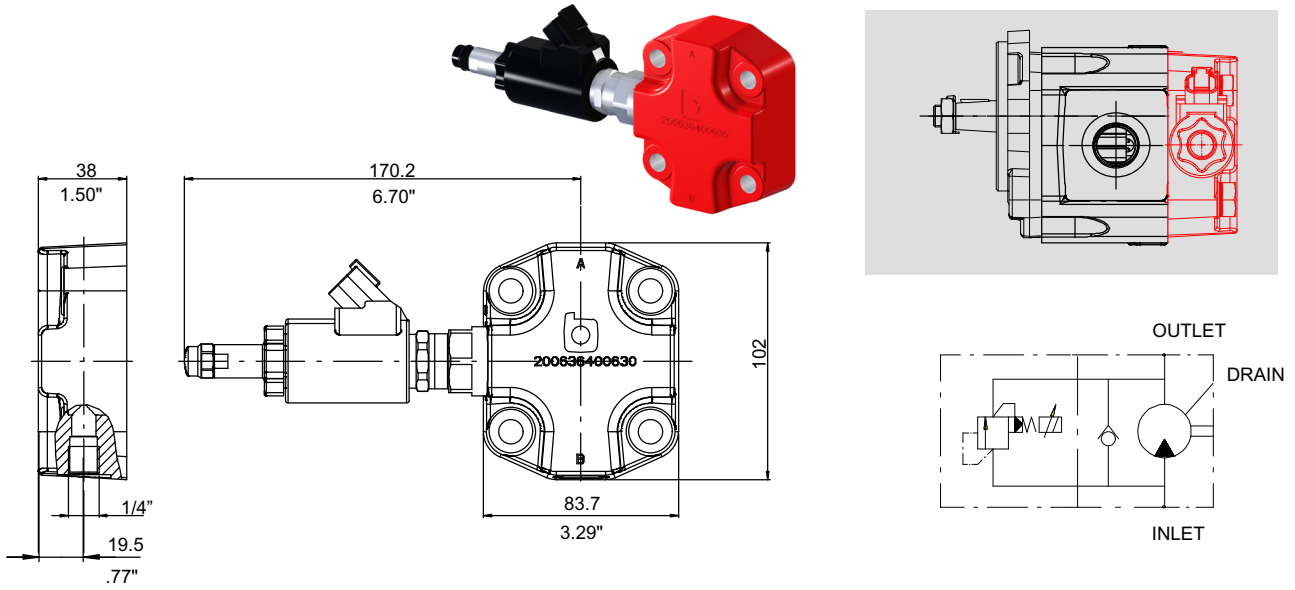
**4** = Drain line port type

Drain line port:

Thread	Tightening torque	Ordering code
1/4" BSP	$30_{-6}^{+7} \text{ Nm}$	1 (on request)
M12x1.5	$30_{-6}^{+7} \text{ Nm}$	3 (on request)
SAE6	$30_{-6}^{+7} \text{ Nm}$	4 (standard)

If the anticavitation valve integrated inside the motor is requested, please specify +C

## 3.7.9 Cast iron back cover with integrated valves: proportional relief valve ( $Q_{max} = 120 \text{ l/min}$ )



A	P	M	R	2	1	2	H	P	/	8	,	5	-	D	-	A	6	S	-	1	C	H	-	D	2	3	A	1	+	C
---	---	---	---	---	---	---	---	---	---	---	---	---	---	---	---	---	---	---	---	---	---	---	---	---	---	---	---	---	---	---

**D** = Type of cast iron back cover/valve combination  
 Back cover with "DC" cavity and proportional pressure-relief cartridge valve type ( $Q_{max} = 120 \text{ l/min}$ )

Inverse proportional pressure-relief cartridge, size 10, DBVSA-1CG (NBR seals)

**23** = Pressure settings

Pressure range : 10 = 100 bar  
 16 = 160 bar  
 23 = 230 bar



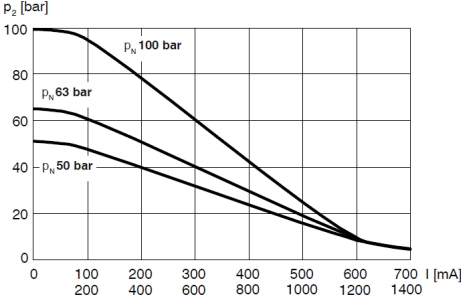
**ATTENTION!**  
 To prevent any pressure surges, outlet port must be routed to tank with the least possible back-pressure. Any tank pressure acting at outlet port is additive to the pressure setting at the main inlet port.



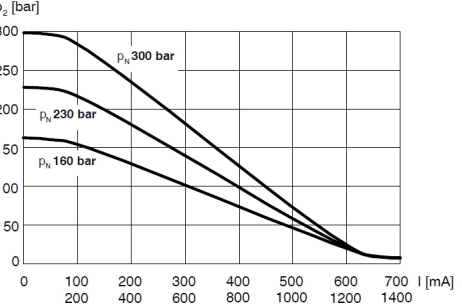
**IMPORTANT!**  
 Further note and characteristics available in the dedicated catalogue 400-P-587101-E

For further settings value available please consult Bucher Hydraulics.

$p = f(I)$  Pressure adjustment characteristic ( $Q = 5 \text{ l/min}$ )



$p = f(I)$  Pressure adjustment characteristic ( $Q = 5 \text{ l/min}$ )



**A** = Solenoid connection type and nominal voltage

Connection type: DT AJ  
 A = 12 V DC C = 12 V DC  
 B = 24 V DC D = 24 V DC



**IMPORTANT!**  
 To achieve the proportional pressure-relief cartridge's maximum performance rating, fit the solenoid coil as shown (with the plug pins at the top). When fitting the cartridges, note the mounting attitude (preferably vertical, with coil down automatic air bleed) and use the specified tightening torque. No adjustments are necessary, since the cartridges are set in the factory.

**4** = Drain line port type

Drain line port:

Thread	Tightening torque	Ordering code
1/4" BSP	$30_{+7}^{-6} \text{ Nm}$	1 (standard)
M12x1.5	$30_{+7}^{-6} \text{ Nm}$	3 (on request)
SAE6	$30_{+7}^{-6} \text{ Nm}$	4 (on request)

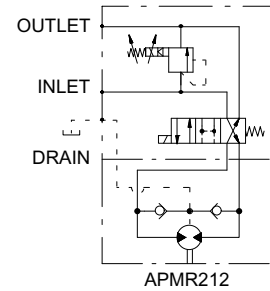
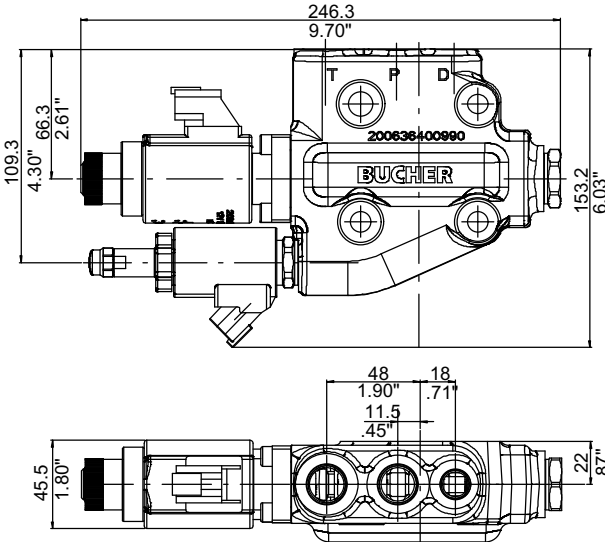
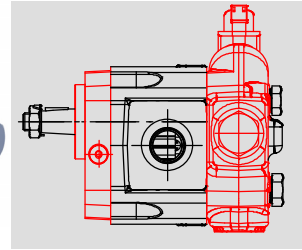
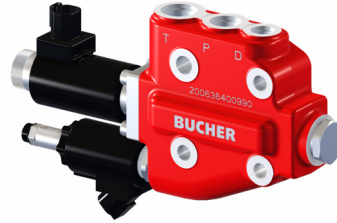
If the anticavitation valve integrated inside the motor is requested, please specify +C

## 3.7.10 Cast iron back cover with integrated valves: Proportional relief valve with ON-OFF reversible valve ( $Q_{max} = 60 \text{ l/min}$ )



### IMPORTANT!

The inverse proportional pressure relief cartridge valve has to be completely open before to switch the Directional Control valve.



**A P M R 2 1 2 H P / 8 , 5 - - A 6 S - 1 C H - C 2 3 A 3 R + C F**

**C** = Type of cast iron back cover/valve

Back cover with "AL" cavity and proportional pressure-relief cartridge valve type  $Q_{max} = 60 \text{ l/min}$

Inverse proportional pressure-relief cartridge, size 5, DBVSA-1LG (NBR seals)

**23** = Pressure settings

Pressure range : 10 = 100 bar  
 16 = 160 bar  
 23 = 230 bar



### ATTENTION!

To prevent any pressure surges, outlet port must be routed to tank with the least possible back-pressure. Any tank pressure acting at outlet port is additive to the pressure setting at the main inlet port.

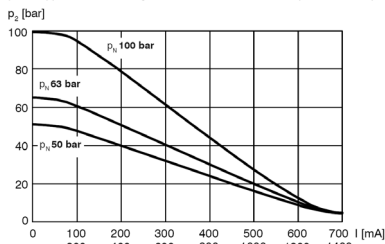


### IMPORTANT!

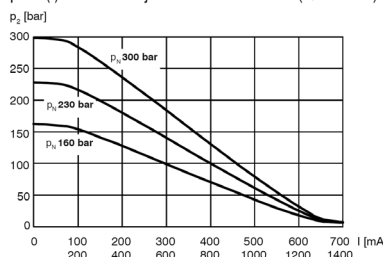
Further note available in the dedicated catalogue 400-P-586101-E

For further settings value available please consult Bucher Hydraulics.

$p = f(I)$  Pressure adjustment characteristic ( $Q = 5 \text{ l/min}$ )



$p = f(I)$  Pressure adjustment characteristic ( $Q = 5 \text{ l/min}$ )



For further characteristics see catalogue: 400-P-586101-E

**A** = Solenoid connection type and nominal voltage

DT	AJ
A = 12 V DC	C = 12 V DC
B = 24 V DC	D = 24 V DC



### IMPORTANT!

To achieve the proportional pressure-relief cartridge's maximum performance rating, fit the solenoid coil with the plug pins at the top. When fitting the cartridges, note the mounting attitude (preferably vertical, with coil down automatic air bleed) and use the specified tightening torque. No adjustments are necessary, since the cartridges are set in the factory.

**3** = Port type

Thread		Tightening torque	Ordering code	
1/2" BSP	P= 3/4"-16 UNF (SAE8)	$60_{+5}^0 \text{ Nm}$	3 (SAE)	4 (BSP)
1/2" BSP	T= 3/4"-16 UNF (SAE8)	$60_{+5}^0 \text{ Nm}$		
1/4" BSP	D= 9/16"-18-2B UNF (SAE6)	$30_{+5}^0 \text{ Nm}$		

Directional control valve  
 33 Watt  
 Connector type:  
 DT04-2P ED  
 100%

Anticavitation valve integrated inside the front cover is requested, please specify +CF

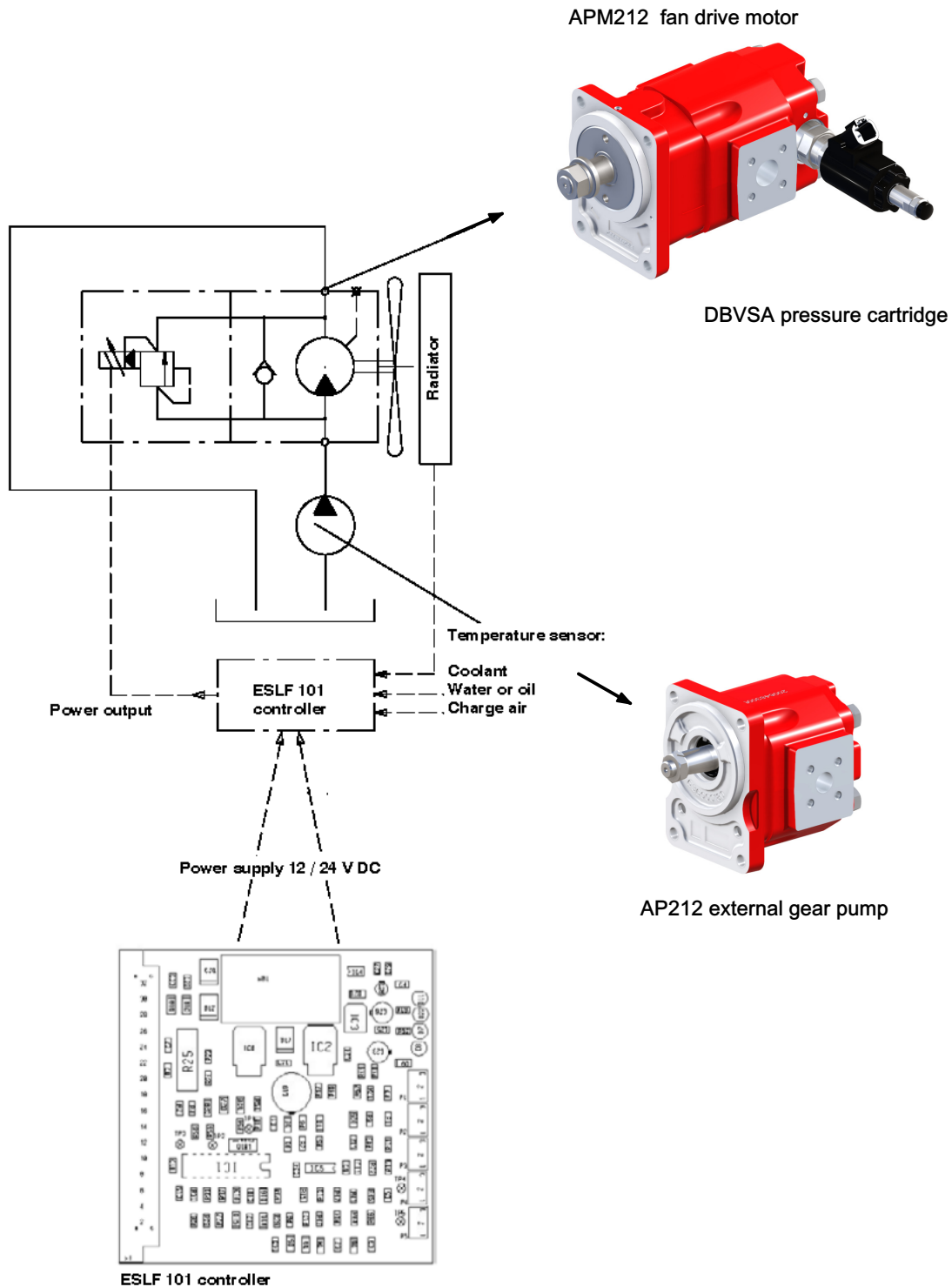


**IMPORTANT!** This circuit must be combined with front cover in cast iron, anticavitation valves included (see section 3.7.4)



## 4 Accessories

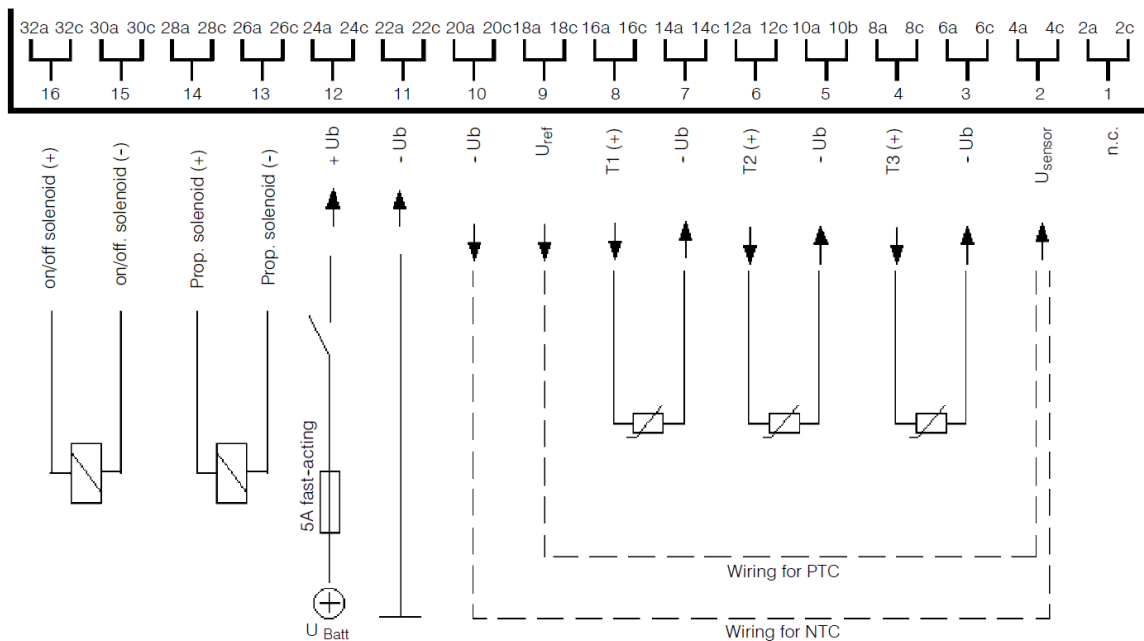
### 4.1 Electronic module, ESLF series



- Up to 3 temperature sensor can be used
- PTC and NTC sensor can both be used

- Same electronic system for reversible and non-reversible motors
- Can be supplied with or without housing

Control system features	
Power supply	12 V - 30 V DC
Reference voltage	8 V DC max. 20 mA
Temperature inputs	3 (T1, T2, T3)
Temperature sensor processing (U sensor)	Either PTC or NTC per card, using two-wire method
Temperature control range	0°C - 100°C
Setting type of sensor; adjustment	Diagnostics input online; calibration potentiometer for each sensor
Prop. solenoid output for fan motor -max. fan motor speed -min. fan motor speed	max. Output current $I_{max}= 2,1$ A minimum current $I_{max}= 0,2$ A maximum current (adjustable) $I_{max}= 2,1 - 1,4$ A via potentiometer
ON/OFF solenoid output	Max. output current 2.5 A
Diagnostics	LED for each solenoid output LEDs for control mode
Electrical connection	DIN 41612 Type D edge connector, or screw terminals
Type of protection	non-encapsulated and encapsulated models
Dimensions	100 mm x 100 mm x 25 mm (W x H x D)
Temperature range	-20°C to +50°C



**E S L F 1 0 1 - 8 1 \* \* \***

Electronic fan drive controller, series ESLF

Encapsulated = 8

Non-encapsulated = 9

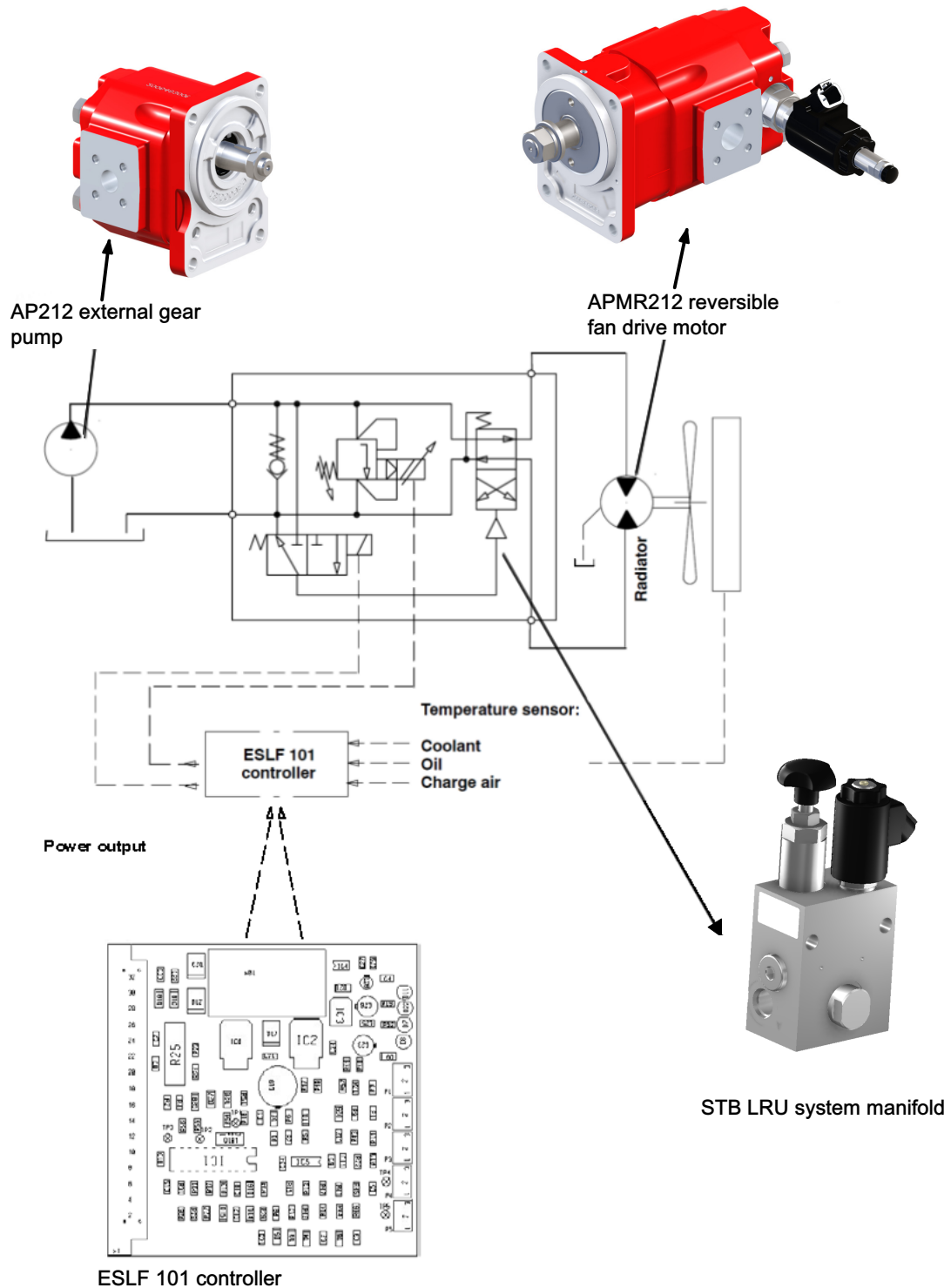
Screw terminals = 1

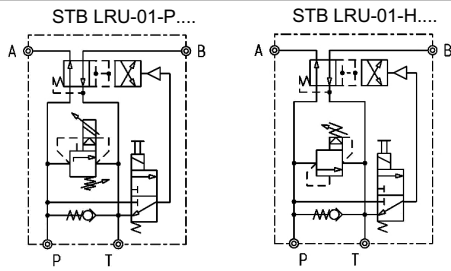
Edge connector = 0

Suitable for 12 V and 24 V DC

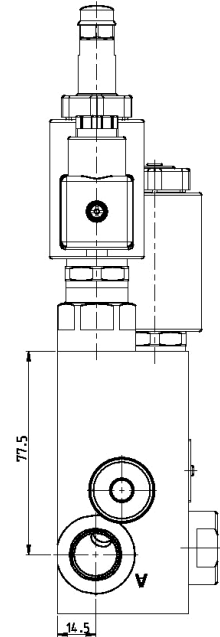
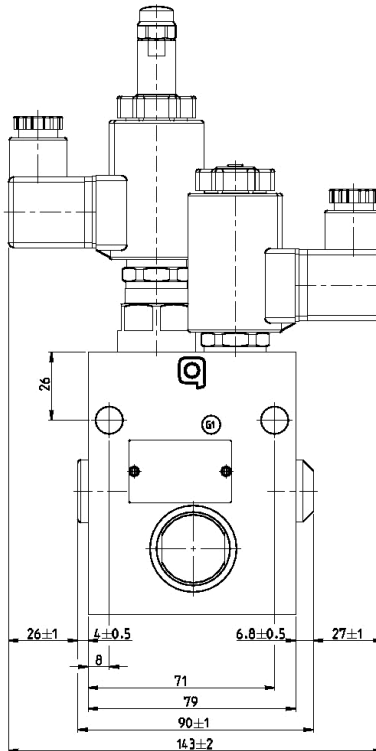
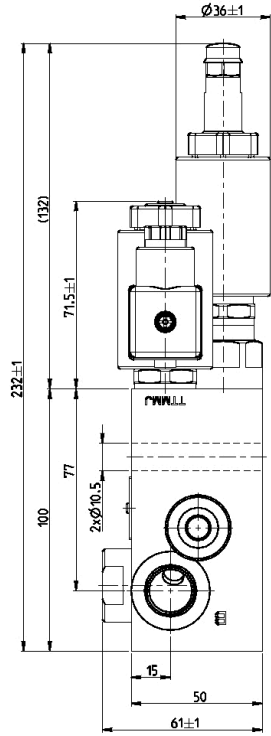
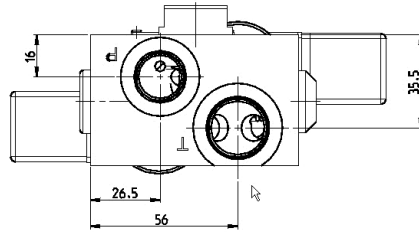
**IMPORTANT!** For detailed informations, see [www.bucherhydraulics.com](http://www.bucherhydraulics.com)

4.2 External manifold for reversing control, STB series





$P_{max}$  = 250 bar  
 $Q_{max}$  = 50 l/min



**S T B** | **L R U** - **0 1** - **P 1 6 M 0 6 0 9** | **1 2 V** | **D C** | **- -**

System manifold series STB

With reversal of fan rotation, LRU

Design no.: 01

Pressure control valves:

P = Proportional, model DBVSA-1CG-...-10

H = manual adjustment, model DVPA-1-10...

W = electric model W UVPZ-1-10...

Pressure setting: 10 = 100 bar    16 = 160 bar    23 = 230 bar

	M	G	U
Port thread:	P / A / B = M18x1,5	3/8"	3/4-16UNF
	T = M22x1,5	1/2"	7/8-14UNF

Nominal size    06 = 6 mm

Minimum flow for reversal switching    09 = 9 l/min

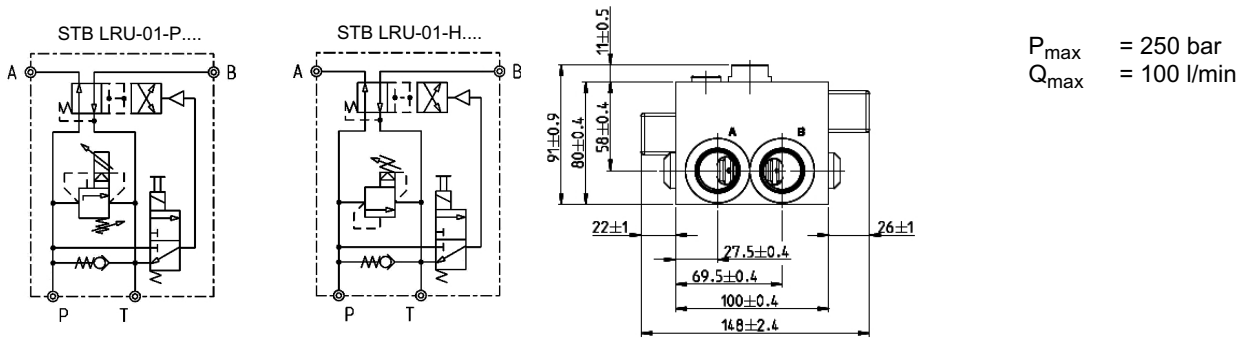
Voltage and current plainly specified: 12 V DC

24 V DC    For others, contact Bucher Hydraulics

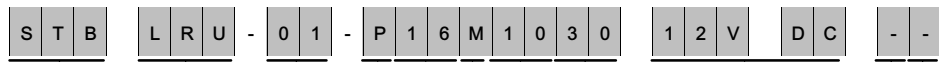
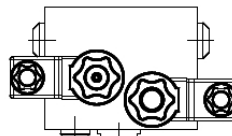
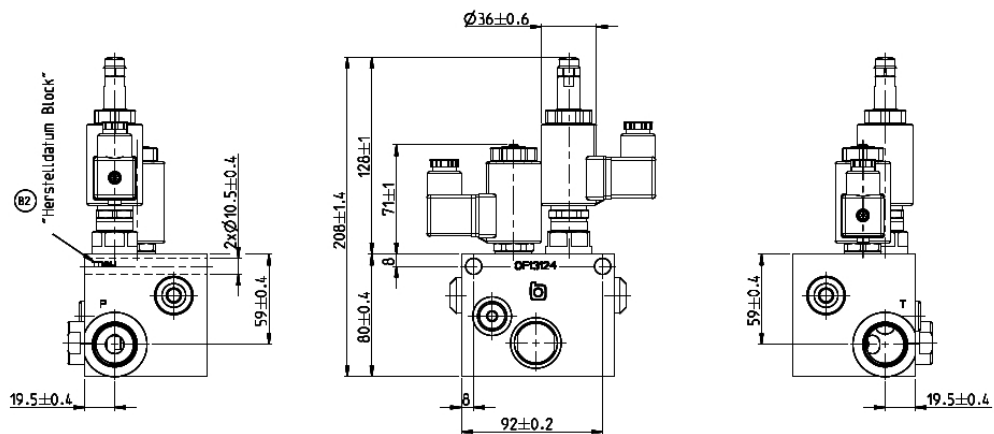
Solenoid coil connectors:	Blank = with DIN 43650 / ISO 4400 (standard)	J = Junior-Timer radial
	M100 = without DIN Mating plug	F = free cable ends / flying leads (length: 500 mm)
	C = Kostal M27x1	I = Junior-Timer axial
	D = Deutsch DT-2	

T = with quenching diode P6KE33CA

**IMPORTANT!** For detailed informations, see [www.bucherhydraulics.com](http://www.bucherhydraulics.com)



$P_{max}$  = 250 bar  
 $Q_{max}$  = 100 l/min



System manifold series STB

With reversal of fan rotation, LRU

Design no.: 01

Pressure control valves:

P = Proportional, model DBVSA-1CG-...-10

H = manual adjustment, model DVPA-1-10....

Pressure setting: 10 = 100 bar 16 = 160 bar 23 = 230 bar

Port thread: P / A / B = M26x1,5 3/4" 1 1/16-12UNF  
 T = M26x1,5 3/4" 1 1/16-12UNF

Nominal size 10= 10 mm

Minimum flow for reversal switching 30= 30 l/min

Voltage and current plainly specified: 12 V DC  
 24 V DC For others, contact Bucher Hydraulics

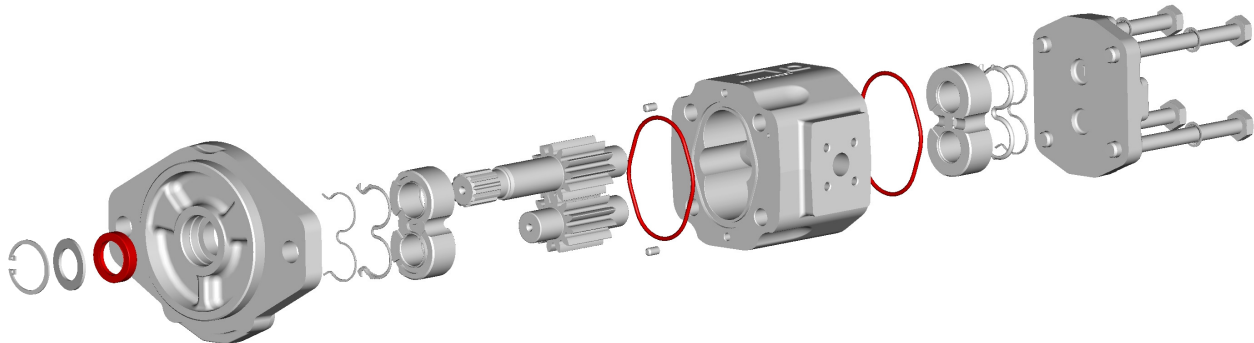
Solenoid coil connectors: Blank = with DIN 43650 / ISO 4400 (standard) J = with plug connectore Junior-Timer radial  
 M100 = without DIN Mating plug F = free cable ends / flying leads (length: 500 mm)  
 C = with plug connector Kostal

Quenching diode (specify if requested)

**IMPORTANT!** For detailed informations, see [www.bucherhydraulics.com](http://www.bucherhydraulics.com)

## 5 Motors seal kit NBR standard type

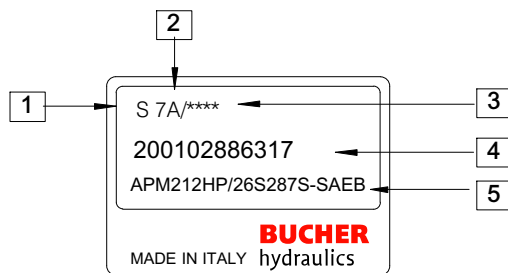
The seal Kit code includes:  
OR and shaft seal



Type	Code
APM212	200974001560

Minimum kit order quantity is requested: please contact our Sales Center

## 6 Product identification plate



- 1 : Rotation  
(D= Clockwise rotation - S= Counterclockwise rotation)
- 2 : Manufacturing year and month
- 3 : Progressive identification no. (optional)
- 4 : Bucher Hydraulics S.p.A. product code
- 5 : Description

Manufacturing month	Manufacturing year					
	2016	2017	2018	2019	2020	2021
January	6A	7A	8M	9M	0M	1M
February	6B	7B	8N	9N	0N	1N
March	6C	7C	8P	9P	0P	1P
April	6D	7D	8Q	9Q	0Q	1Q
May	6E	7E	8R	9R	0R	1R
June	6F	7F	8S	9S	0S	1S
July	6G	7G	8T	9T	0T	1T
August	6H	7H	8U	9U	0U	1U
September	6I	7I	8V	9V	0V	1V
October	6J	7J	8Z	9Z	0Z	1Z
November	6K	7K	8X	9X	0X	1X
December	6L	7L	8Y	9Y	0Y	1Y

## 7 Application form

Date:			
Contact:			
Customer:			
Location:			
Overall quantity per year:			
Minimum batch size:			
Delivery time requested:	Feasibility:	Prototypes:	Series:
Target price:			
Type of application:			

External gear motor general data					
Rotation	S	D	R	Speed range	
Displacement: Single motor (cm <sup>3</sup> /rev)				Continuous work Pressure (bar)	1st 2nd 3rd
Double motor (cm <sup>3</sup> /rev)	1st	2nd		Peak work pressure (bar)	1st 2nd 3rd
Multiple motor (cm <sup>3</sup> /rev)	1st	2nd	3rd	Oil type	
Drive shaft				Oil temperature (°C)	min max
Port type				Oil viscosity (cSt)	min max
Front cover type				Outlet line pressure	
Bearing support				Voltage	
Front cover material				Drain case pressure	
Intermediate cover (with or without shaft seal)	with	without		Radial load (N)	
Back cover type/circuit				Axial load (N)	
Back cover material	aluminium	cast iron		Working hours per year	
Valves				Cycles per year	

Additional notes:

[info.it@bucherhydraulics.com](mailto:info.it@bucherhydraulics.com)

[www.bucherhydraulics.com](http://www.bucherhydraulics.com)

© 2018 by Bucher Hydraulics S.p.A, I-42124 Reggio Emilia

All rights reserved.

Data is provided for the purpose of product description only, and must not be construed as warranted characteristics in the legal sense. The information does not relieve users from the duty of conducting their own evaluations and tests. Because the products are subject to continual improvement, we reserve the right to amend the product specifications contained in this catalogue.

Classification: 430.110.000